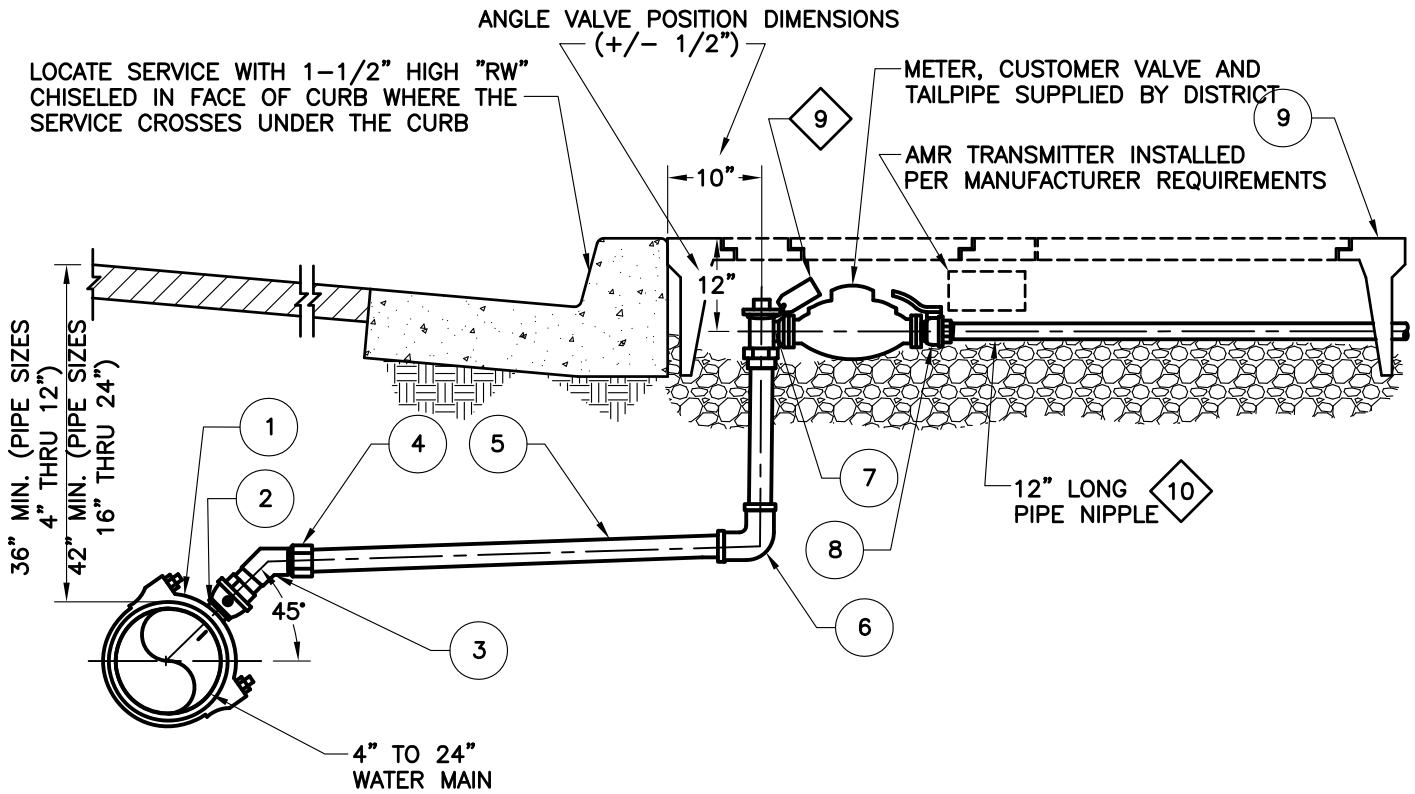


PLAN



ELEVATION

SEE SHEET 2 OF 2 FOR NOTES AND LIST OF MATERIALS.

1-1/2" AND 2" RECYCLED WATER SERVICE INSTALLATION

2016



Yucaipa Valley Water District

Approved by the Yucaipa Valley Water District Board of Directors on March 16, 2016 as Resolution No. 2016-13

R-7

NOTES:

1. SERVICE SADDLE SHALL NOT BE INSTALLED WITHIN 12-INCHES OF VALVE, COUPLING, JOINT OR FITTING.
 2. IF PURPLE PE TUBING CAN NOT BE USED, PURPLE POLY-SLEEVE SHALL BE USED AND SECURED AT THE CORP. AND THE ANGLE VALVE WITH 10 MIL. TAPE.
 3. SET TOP OF METER BOX FLUSH WITH SIDEWALK OR CURB AS SHOWN.
 4. THE CORPORATION STOP TAP SHALL BE MADE AT A 45° DEGREE ANGLE FROM THE TOP OF THE PIPE.
 5. THE WATER SERVICE SHALL EXTEND PERPENDICULAR TO THE CENTERLINE OF THE STREET FROM THE WATER MAIN TO THE METER STOP.
 6. METER BOX SHALL BE SET BEHIND CURB WHERE SIDEWALK IS ADJACENT TO CURB, OR IN PARKWAY BETWEEN CURB AND SIDEWALK.
 7. METER BOX COVER AND READING LID FOR ALL RECLAIMED WATER SERVICE SHALL BE PAINTED PURPLE AND STAMPED WITH "RECYCLED WATER" LOGO.
 8. METER BOX COVER AND READING LID FOR ALL RECLAIMED WATER SERVICES SHALL BE PAINTED OR CAST/FORMED "PURPLE".
- 9 METERS SHALL BE TAGGED. IDENTIFICATION SHALL BE WEATHERPROOF PURPLE PLASTIC, 3-INCHES BY 4-INCHES WITH THE WORDS "WARNING RECYCLED WATER – DO NOT DRINK". IMPRINTING SHALL BE PERMANENT AND BLACK IN COLOR. USE TAGS MANUFACTURED BY T. CHRISTY ENTERPRISES OR APPROVED EQUAL.
- 10 ALL ONSITE PIPING IS PURPLE SCH 40 PVC PER YVWD RECYCLED DESIGN AND CONSTRUCTION STANDARDS.

LIST OF MATERIALS

ITEM NO.	SIZE & DESCRIPTION	MANUFACTURER	SPEC. NO.
1	DOUBLE STRAP SERVICE SADDLE I.P. OUTLET (FOR DUCTILE IRON PIPE MAINS)	JONES MUELLER FORD ROCKWELL	J-979 I.P. H-16102 TO H-16116 202B-SIZE 1.P.7 323-SIZE-14
2	BRONZE CORPORATION STOP MIPT X MIPT	JONES FORD MUELLER	J-1943 FB500-7 B-2969
3	45° DEGREE BRASS ELBOW	-	-
4	M.I.P. X COMPRESSION ADAPTOR	MUELLER FORD JONES	H-15428 C84-77 J-2605
5	2" POLYETHYLENE TUBING - CTS - PURPLE OR WITH PURPLE POLY SLEEVE	-	-
6	BRASS 90° ELBOW, 2" X 2" COMPRESSION X COMPRESSION	JONES MUELLER	J-2611 H-15526
7	BRONZE ANGLE METER STOP W/LOCKWING COMPRESSION CTS X FLANGE 1 1/2" THRU 2" COMBO ANGLE VALVE.	JONES MUELLER FORD	J-4205 P-14277 FV43-777W
8	BRONZE CUSTOMER SERVICE VALVE-METER FLANGE X F.I.P.	JONES FORD	J-1913 BF13-777 W/HH-67
9	METER BOX AND COVER WITH READING LID	ARMOR CAST	A6001430PCX12 W/ (1)-A6001470 - COVER (1)-A6001470DZ - COVER (1)-A6000482

1-1/2" AND 2" RECYCLED WATER SERVICE INSTALLATION

2016



Yucaipa Valley Water District

Approved by the Yucaipa Valley Water District Board of Directors on March 16, 2016 as Resolution No. 2016-13

R-7