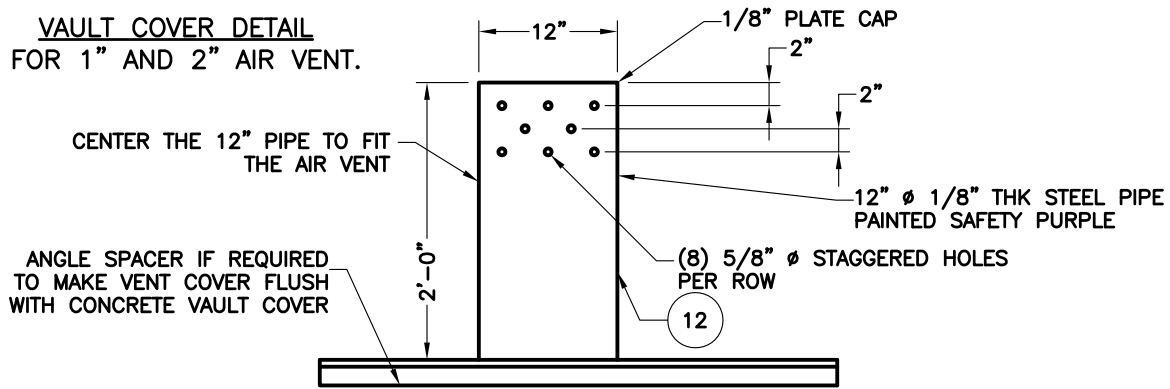


1" SIZE MIN. FOR PIPE DIAMETERS 12" AND SMALLER.
 2" SIZE MIN. FOR PIPE DIAMETERS 16" AND LARGER.
 SEE SHEET 2 OF 2 FOR NOTES, LIST OF MATERIALS AND DETAILS.

1" AND 2" RECYCLED WATER AIR AND VACUUM VALVE ASSEMBLIES

**VAULT COVER DETAIL
FOR 1" AND 2" AIR VENT.**



LIST OF MATERIAL

ITEM NO.	SIZE & DESCRIPTION	MANUFACTURER	SPEC. NO.
1	CONNECTION PER YWD STD. DWG. R-5 OR DWG. R-7 OFF THE TOP OF PIPE	-	-
2	CORPORATION STOP WITH (2)-90° ELBOW SWING JOINTS, BRASS	-	-
3	F.I.P. X COMPRESSION ADAPTOR	FORD JONES MUELLER	C14-44 J-2607 H-15451
4	P.E. TUBING, CTS, PURPLE OR WITH PURPLE POLY SLEEVE.		
5	COMPRESSION X COMPRESSION 90° ELBOW	JONES MUELLER	J-2611 H-15526
6	CURB VALVE-SHUT OFF PARALLEL WITH CURB	FORD JONES MUELLER	B41-444 J-1921 B-25172
7	3" NIPPLE, BRASS	-	-
8	COMBINATION, AIR & VACUUM VALVE, 1" MINIMUM VAULT SIZE PER PLAN	A.R.I. CRISPIN	D-040 S.S. TRIM, N.P.T. OUTLET
9	18" +/- G.I.P.	-	-
10	90° DEGREE STREET ELL G.I.P.	-	-
11	BUG SCREEN	-	-
12	VAULT COVER (SEE DETAIL, ABOVE)	-	-
13	2-DOUBLE STACKED #6 CONCRETE METER VAULTS		

NOTE:

1. THE AIR VAC BOX IS TO BE SET PERPENDICULAR TO THE BACK OF THE CURB.
2. BACKFILL UNDER EXISTING CURB WITHIN THE CITY OF YUCAIPA, MUST BE 2 SACK SLURRY PER CITY STANDARDS.
3. IF AN A.R.I. COMBINATION AIR VAC IS USED THEN ITEMS 9 AND 10 NOT REQUIRED, AND ITEM 13 ONLY REQUIRES 1 METER VAULT.

**1" AND 2" RECYCLED WATER
AIR AND VACUUM VALVE ASSEMBLIES**

2016

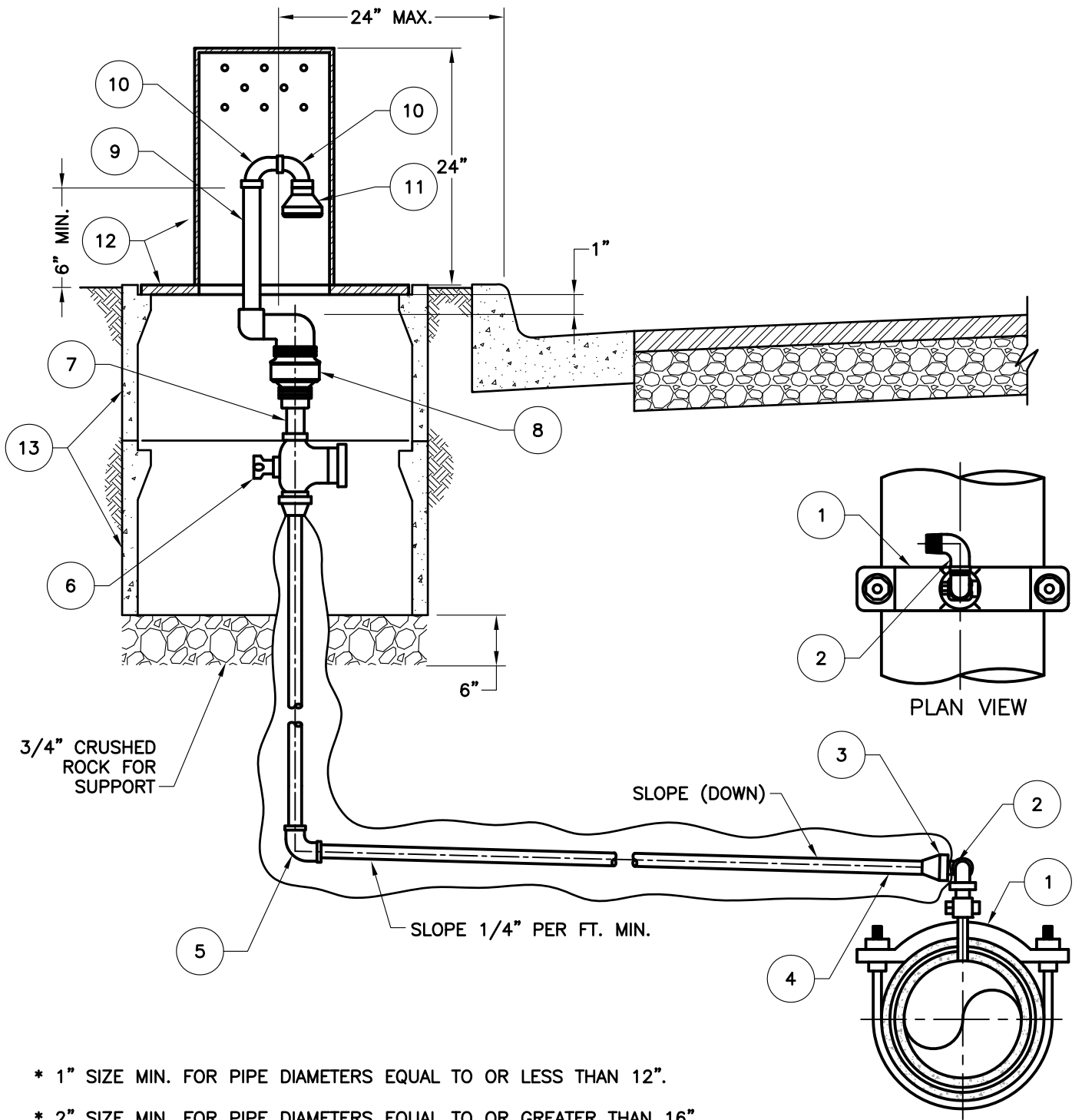


Yucaipa Valley Water District

Approved by the Yucaipa Valley Water District Board of Directors on March 16, 2016 as Resolution No. 2016-13

R-15

Sheet 2 of 4



* 1" SIZE MIN. FOR PIPE DIAMETERS EQUAL TO OR LESS THAN 12".

* 2" SIZE MIN. FOR PIPE DIAMETERS EQUAL TO OR GREATER THAN 16".

SEE SHEET 2 OF 2 FOR NOTES, LIST OF MATERIALS AND ADDITIONAL DETAILS.

1" AND 2" RECYCLED WATER AIR AND VACUUM VALVE ASSEMBLIES

2016

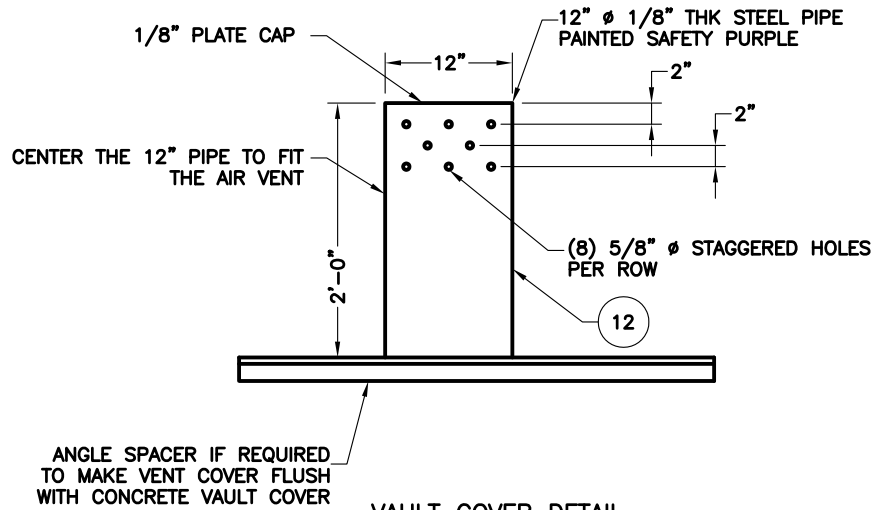


Yucaipa Valley Water District

Approved by the Yucaipa
Valley Water District Board of
Directors on March 16, 2016 as
Resolution No. 2016-13

R-15

Sheet 3 of 4



VAULT COVER DETAIL
FOR 1" AND 2" AIR VENT.

LIST OF MATERIAL

ITEM NO.	SIZE & DESCRIPTION	MANUFACTURER	SPEC. NO.
1	CONNECTION PER YWD STD. DWG W-5 OR DWG. W-7 OFF THE TOP	-	-
2	CORPORATION STOP WITH 2-90° ELBOW SWING JOINTS, BRASS	-	-
3	F.I.P. X COMPRESSION ADAPTOR	FORD JONES MUELLER	C14-44 J-2607 H-15451
4	P.E. TUBING, CTS, PURPLE OR WITH PURPLE POLY SLEEVE		
5	COMPRESSION X COMPRESSION 90° ELBOW	JONES MUELLER	J-2611 H-15526
6	CURB VALVE-SHUT OFF PARALLEL WITH CURB	FORD JONES MUELLER	B41-444 J-1921 B-25172
7	3" X SIZE NIPPLE, BRASS	-	-
8	A.R.I., NPT OUTLET, COMBINATION, AIR & VACUUM VALVE, 1" MIN. VAULT SIZE PER PLAN	A.R.I.	D-040
9	18" X SIZE NIPPLE	-	-
10	90° STREET ELL	-	-
11	BUG SCREEN	-	-
12	VAULT COVER (SEE DETAIL, ABOVE)	-	-
13	2-DOUBLE STACKED #6 CONCRETE METER VAULTS		-

NOTE:

1. ALL CONNECTIONS TO COPPER TUBING SHALL BE COMPRESSION FITTINGS.
2. THE AIR VAC BOX IS TO BE SET PERPENDICULAR TO THE BACK OF THE CURB.
3. BACKFILL UNDER EXISTING CURB WITHIN THE CITY OF YUCAIPA, MUST BE 2 SACK SLURRY PER CITY STANDARDS.

1" AND 2" AIR AND VACUUM VALVE ASSEMBLY

2016



Yucaipa Valley Water District

Approved by the Yucaipa
Valley Water District Board of
Directors on March 16, 2016 as
Resolution No. 2016-13

R-15

Sheet 4 of 4