

FOR LOCATION OF
MH. SHAFT
OPENING SEE
YVWD STD. DWG.
S-6

PIPE SHALL BE LAID
WITH END SQUARE INTO
MH. BASE, UNLESS
OTHERWISE NOTED.
CONSTRUCT FILLET
SHELF OVER PIPE TO
DRAIN

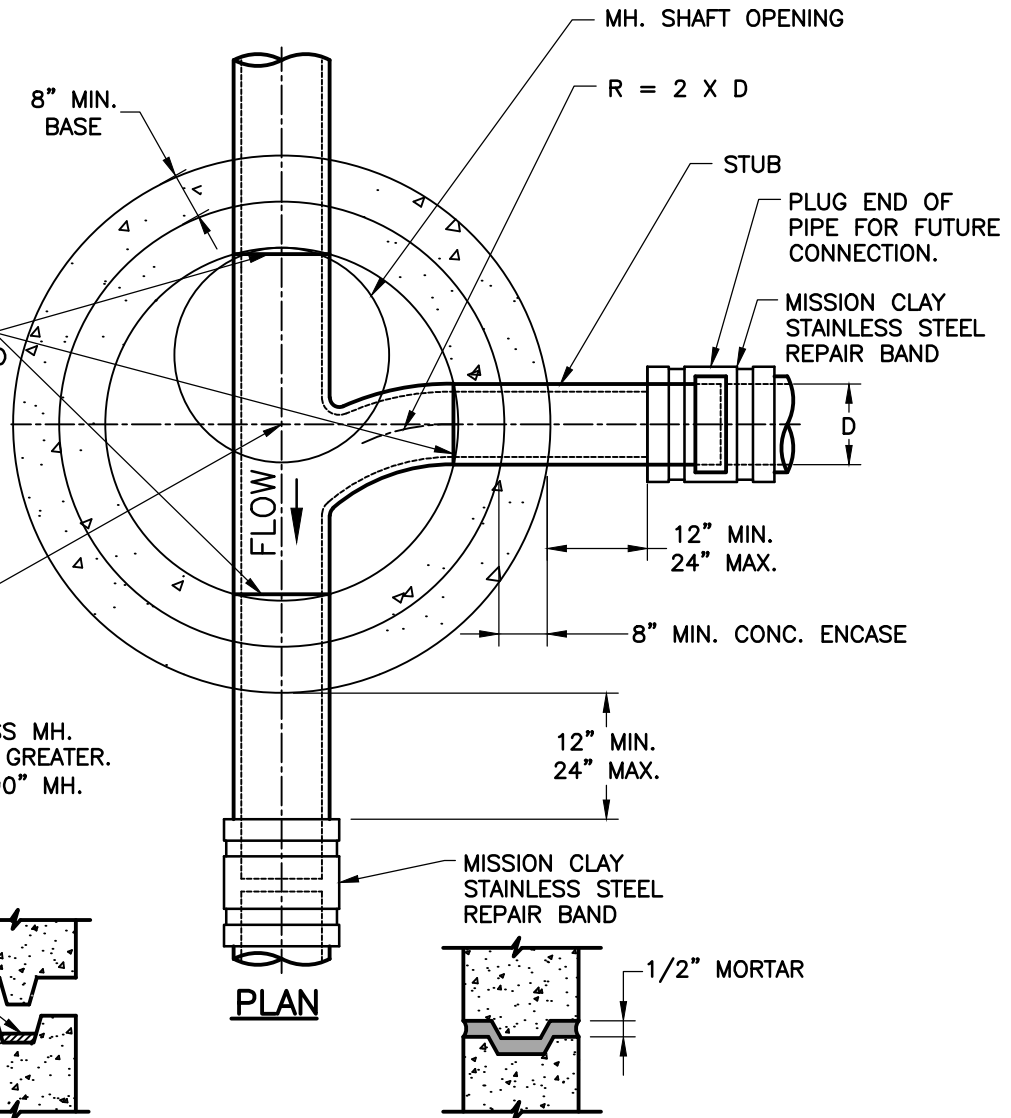
MH. STATIONING

0.10' MIN. FALL ACROSS MH.
UNLESS SEWER SLOPE GREATER.
0.20' MIN. FALL FOR 90" MH.

JOINT
SEALING
COMPOUND
STRIP PER
MANUFACTURERS
REQUIREMENTS

PLASTIC JOINT

MORTAR JOINT



NOTES:

1. MORTAR JOINTS - SUFFICIENT MORTAR SHALL BE APPLIED ACROSS ENTIRE FACE OF JOINT SO THAT WHEN PRECAST UNITS ARE PLACED ON TOP OF ONE ANOTHER, THE MORTAR WILL SQUEEZE OUT BOTH THE INSIDE AND OUTSIDE WALL FACES. JOINTS SHALL BE "POINTED UP" AFTER SETTING PRECAST UNITS EXCLUDING GRADE RINGS.
2. ALL MORTARED JOINTS MUST HAVE A TOOLED FINISH ON INSIDE OF MANHOLES. EXCESS MORTAR SHALL BE CLEANED OFF OF PRE-CAST CONCRETE SECTIONS.
3. PLASTIC JOINTS - PREFORMED COLD-APPLIED READY-TO-USE PLASTIC JOINT SEALING COMPOUND SHALL BE QUICK-SEAL AS SUPPLIED BY QUIKSET UTILITY VAULTS, SANTA ANA, CALIFORNIA - OR APPROVED EQUAL. MUST BE USED WHEN GROUND WATER IS ENCOUNTERED.

CONCRETE BASE AND JOINT DETAIL

2017



Yucaipa Valley Water District

Approved by the Yucaipa Valley Water District Board of Directors on October 17, 2017 as Resolution No. 2017-24

S-4