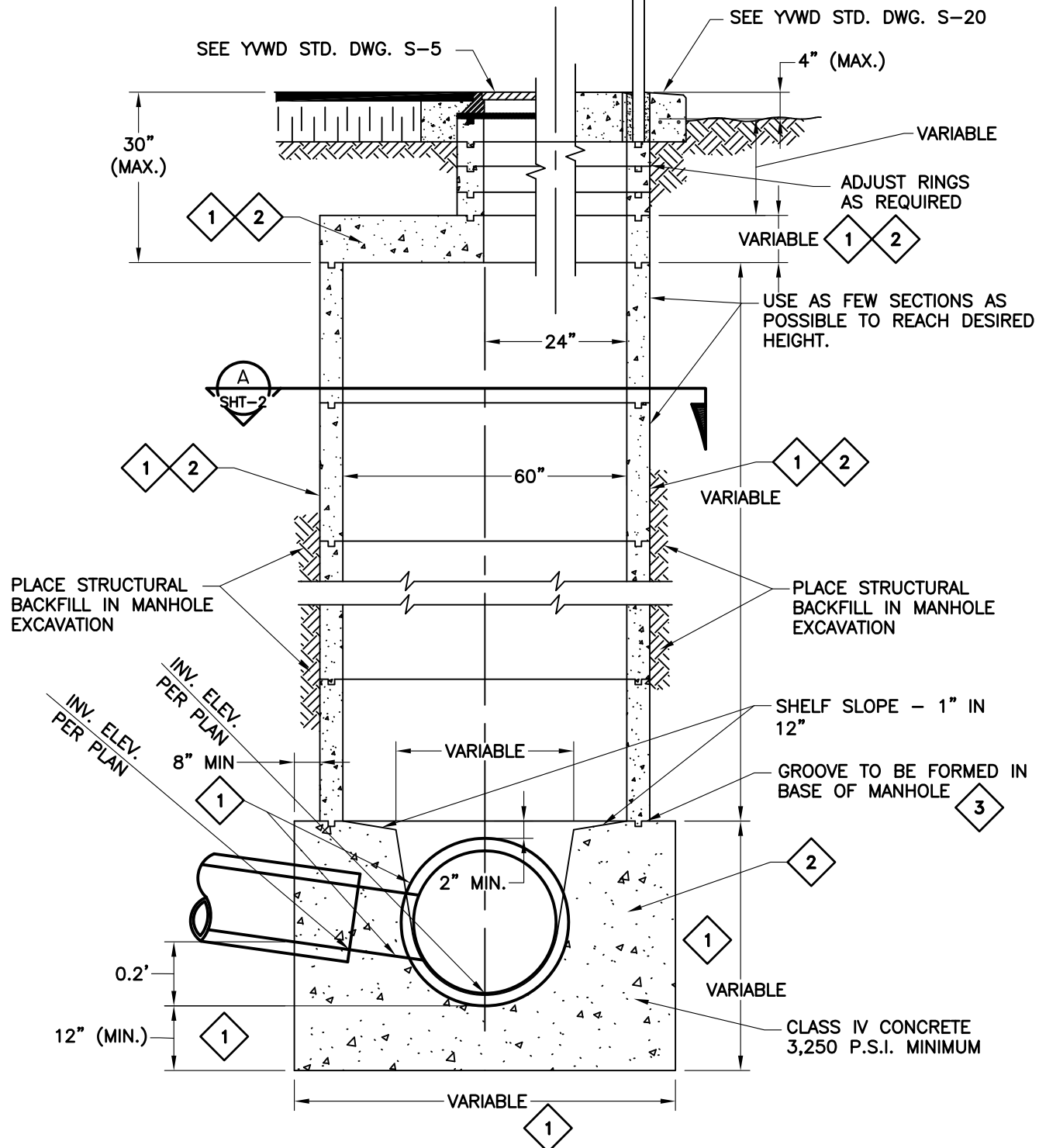


**DETAIL FOR MANHOLES IN
PAVED SURFACES**

**DETAIL FOR MANHOLES IN
EASEMENTS**



SEE YWD STD. DWG. S-8 SHEET 2 OF 2 FOR SECTION AND NOTES.

SPECIAL MANHOLE (20' TO 30' DEEP)

2016

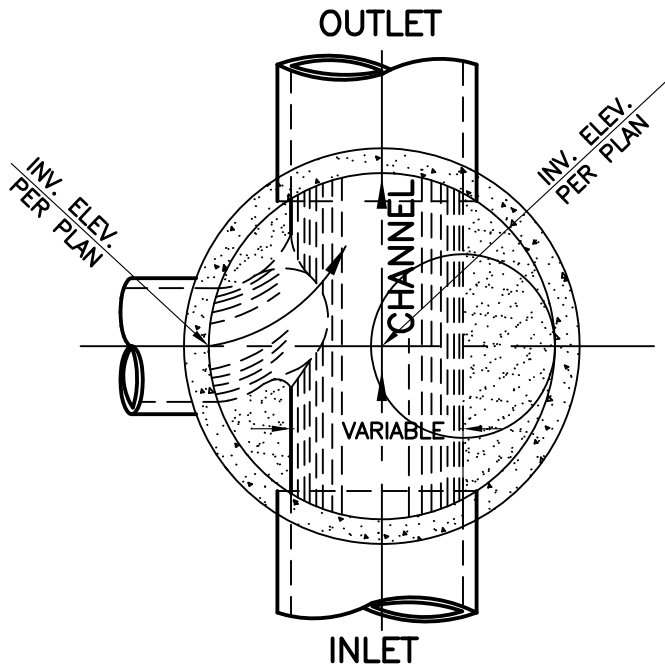


Yucaipa Valley Water District

Approved by the Yucaipa Valley Water District Board of Directors on March 16, 2016 as Resolution No. 2016-13

S-8

Sheet 1 of 2



SECTION A
SHT-1

NOTES:

1. DIMENSIONS PER MANHOLE MANUFACTURER'S SPEC.
2. STEEL REINFORCEMENT PER MANHOLE MANUFACTURER'S SPECIFICATIONS.
3. INVERT CHANNELS, SHELF AND GROOVE SHALL BE FORMED MONOLITHICALLY WITH THE MANHOLE BASE, NO REWORKING OF CONCRETE WHICH HAS PARTIALLY HARDENED.
4. ALL SECTIONS TO BE WASHED, TO REMOVE ANY LOOSE MATERIAL AND WHILE STILL WET, THEY ARE TO BE SET IN 1:3 MORTAR TRIMMED SMOOTH INSIDE AND OUTSIDE AT TIME OF SETTING, INCLUDING FRAME. INSIDE MORTARED JOINTS MUST HAVE A TOOLED FINISH. EXCESS MORTAR SHALL BE CLEANED OFF PRE-CAST CONCRETE SECTIONS.
5. CONCRETE FOR MANHOLE SECTION 3,250 P.S.I. MIN.
6. PROVIDE FLEXIBLE JOINT IN ALL SEWER PIPES OUTSIDE MANHOLE BUT WITHIN 12"-24" OF CONCRETE BASE. NO BELLS, USE MISSION CLAY STAINLESS STEEL BAND REPAIR COUPLINGS OR EQUAL.
7. ADJUSTMENT OF FRAME AND COVER AFTER FINAL PAVING OPERATIONS. FRAME AND COVER SHALL BE SET 1/4" BELOW PAVING TO ALLOW FOR PAVING SETTLEMENT.
8. PRECAST MANHOLE SUPPLIER TO SUBMIT STRUCTURAL CALCULATION TO ENGINEER FOR APPROVAL PRIOR TO FABRICATION.
 USE: SOIL ACTIVE PRESSURE = 49 P.C.F.
 SOIL BEARING PRESSURE = 1,500 P.S.F. (OR VALUES PER APPROVED SOIL REPORT)

SPECIAL MANHOLE (20' TO 30' DEEP)

2016



Yucaipa Valley Water District

Approved by the Yucaipa Valley Water District Board of Directors on March 16, 2016 as Resolution No. 2016-13

S-8