

SEE SHEET 2 OF 2 FOR NOTES

## GUARD POST DETAILS

2017

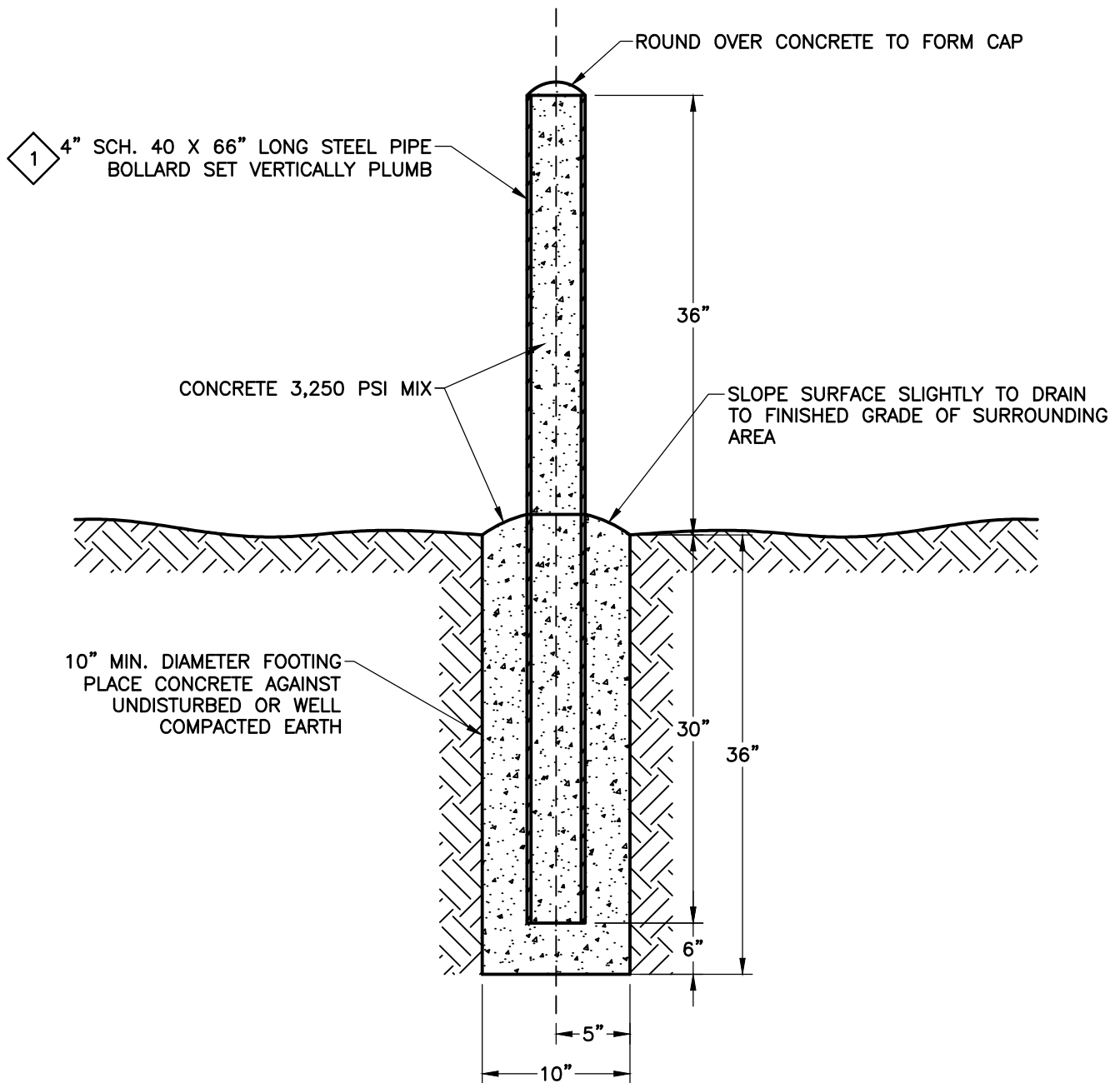


Yucaipa Valley Water District

Approved by the Yucaipa Valley Water District Board of Directors on October 17, 2017 as Resolution No. 2017-24

S-11

Sheet 1 of 2



**NOTES:**

1. PRIOR TO PAINTING, GUARD POST BOLLARD SHALL BE PREPARED PER SSPC-SP5. PAINT WITH 2 COATS, 3 TO 5 MILS EACH, OF RUST-OLEUM 7543 SAFETY YELLOW 025F.

**GUARD POST DETAILS**

2017



Yucaipa Valley Water District

Approved by the Yucaipa Valley Water District Board of Directors on October 17, 2017 as Resolution No. 2017-24

S-11

Sheet 2 of 2