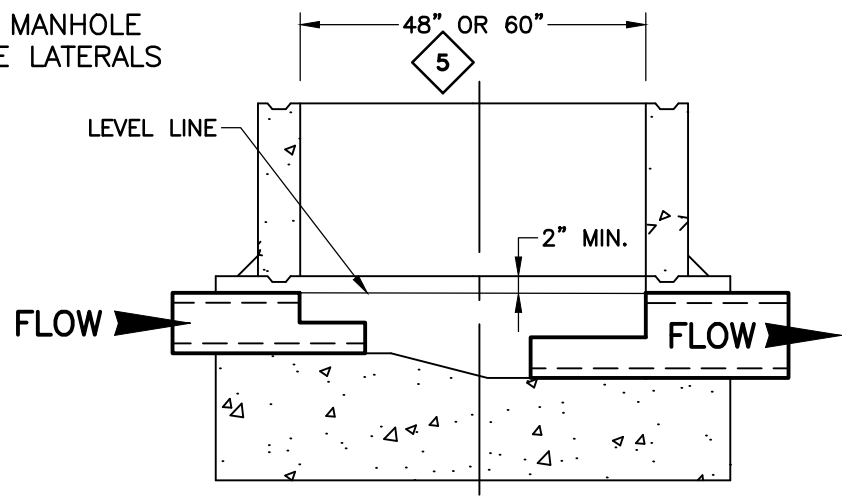


PLAN
 TERMINUS MANHOLE
 WITH HOUSE LATERALS



SECTION A

NOTES:

1. REFER TO STANDARD DRAWINGS OF MANHOLES FOR DETAILS PERTAINING TO MANHOLES ONLY.
2. THE TOP 1/2 DIAMETER OF THE PIPE IS TO BE BROKEN OUT TO A NEAT LINE. BROKEN EDGES SHALL BE PLASTERED SMOOTH WITH CEMENT MORTAR.
3. THE MAXIMUM NUMBER OF LATERALS INTO A TERMINUS MANHOLE SHALL BE FOUR.
4. THE MAXIMUM NUMBER OF LATERALS INTO A KNUCKLE MANHOLE SHALL BE THREE.
5. ALL MANHOLES WITH THREE OR MORE CONNECTING LATERALS SHALL BE 5'-0" DIAMETER.

TERMINUS (CUL-DE-SAC) MANHOLE

2017



Yucaipa Valley Water District

Approved by the Yucaipa
 Valley Water District Board of
 Directors on October 17, 2017
 as Resolution No. 2017-24

S-13