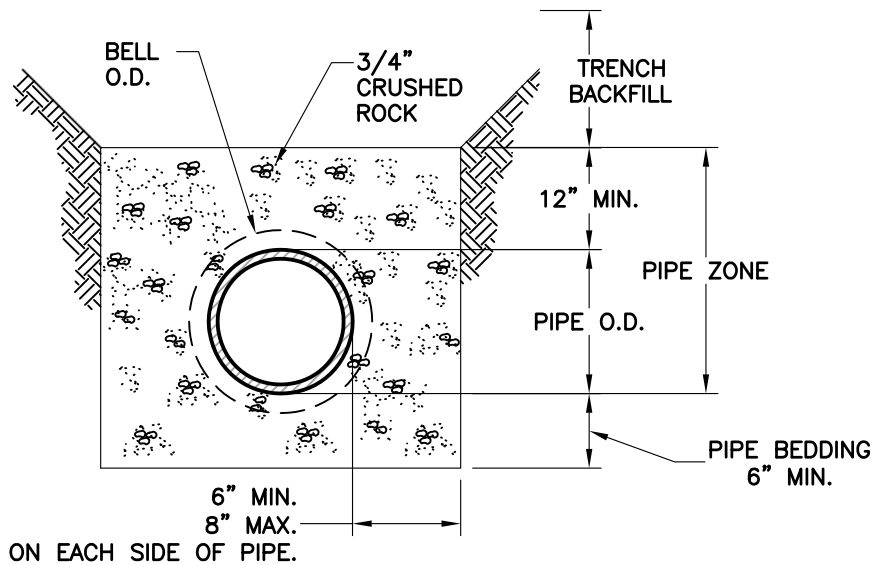


LOAD FACTOR=1.1



LOAD FACTOR=2.2

NOTES:

1. IF UNSTABLE SOIL IS ENCOUNTERED, DISTRICT REPRESENTATIVE SHALL DETERMINE DEPTH OF REMOVAL AND SIZE OF FOUNDATION ROCK REFILL MATERIAL.

VITRIFIED CLAY PIPELINE BEDDING DETAIL

2016



Yucaipa Valley Water District

Approved by the Yucaipa Valley Water District Board of Directors on March 16, 2016 as Resolution No. 2016-13

S-15

Sheet 1 of 2

MINIMUM LOAD FACTOR – UNLIMITED TRENCH WIDTH

SEWER DIAMETER	DEPTH OF COVER						
	6'-0"	8'-0"	10'-0"	12'-0"	14'-0"	16'-0"	18'-0"
8"	1.1	1.1	1.1	2.2	2.2	2.2	2.2
10"	1.1	1.1	2.2	2.2	2.2	2.2	–
12"	1.1	2.2	2.2	2.2	2.2	–	–
15"	1.1	2.2	2.2	2.2	–	–	–

NOTES:

- 3/4" CRUSHED ROCK SHALL BE PER STANDARD SPECIFICATIONS, WITH THE FOLLOWING GRADATIONS:

SIEVE	% PASSING
1"	100 %
3/4"	90 – 100%
1/2"	20 – 55%
3/8"	0 – 15%
NO. 4	0 – 5%

- FOR SEWER DIAMETERS DIFFERENT THAN SHOWN AND FOR DEPTHS OF COVER DIFFERENT THAN SHOWN, DISTRICT SHALL APPROVE PIPE BEDDING AND PIPE ZONE BACKFILL PRIOR TO CONSTRUCTION.
- WHEN DEPTH REACHES 10'-0", ALL PIPE ZONE BEDDING SHALL BE 3/4" CRUSHED ROCK WITH A MINIMUM DEPTH OF 6" BELOW PIPE UNLESS OTHERWISE NOTED ON PLANS.

VITRIFIED CLAY PIPELINE BEDDING DETAIL

2016



Yucaipa Valley Water District

Approved by the Yucaipa Valley Water District Board of Directors on March 16, 2016 as Resolution No. 2016-13

S-15

Sheet 2 of 2