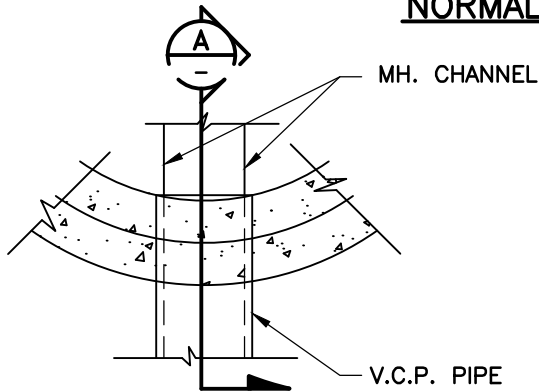
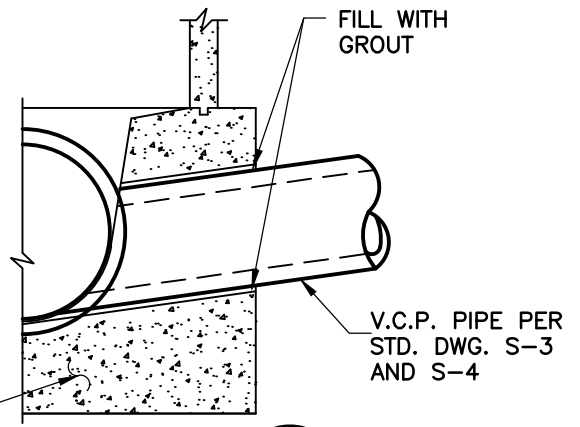


**NORMAL BEDDING**



**PLAN**



**SECTION A**

**NOTES:**

**MANHOLE CONNECTION DETAILS**

1. CONCRETE ENCASEMENT PER YWD STD. DWG. S-18 SHALL BE USED WHERE THE TRENCH WIDTH AT THE UPPER LIMIT OF THE PIPE ZONE EXCEEDS THE MAX. WIDTH SPECIFIED ABOVE.
2. IF UNSTABLE SOIL IS ENCOUNTERED, DISTRICT REPRESENTATIVE SHALL DETERMINE DEPTH OF REMOVAL AND SIZE OF FOUNDATION ROCK REFILL MATERIAL.
3. SEE YWD STD. DWGS. S-3, S-4, AND S-5 FOR MANHOLE DETAILS.

**PIPELINE BEDDING AND SPECIAL DETAILS**

2017



Yucaipa Valley Water District

Approved by the Yucaipa Valley Water District Board of Directors on October 17, 2017 as Resolution No. 2017-24

S-16

Sheet 1 of 1