

SEE YWD. STD. DWG. S-17 SHEET 2 OF 2 FOR SECTION B, REINFORCING STEEL PATTERN, PIPE SLOPE SCHEDULE, AND NOTES.

CONCRETE SLOPE ANCHORS

2016

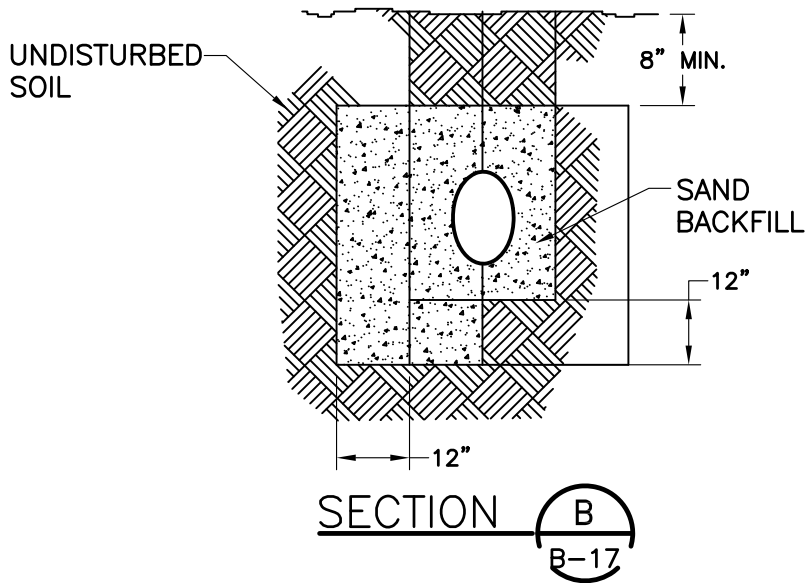


Yucaipa Valley Water District

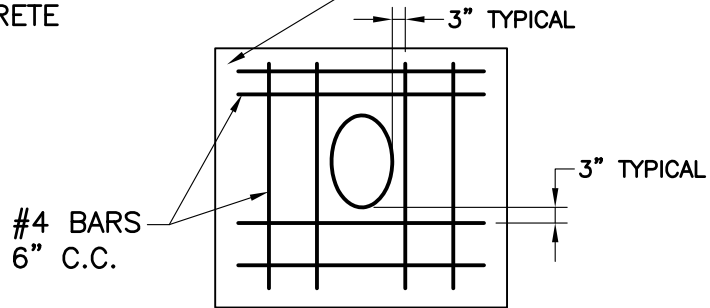
Approved by the Yucaipa Valley Water District Board of Directors on March 16, 2016 as Resolution No. 2016-13

S-19

Sheet 1 of 2



3" MIN. CLEARANCE BETWEEN REINFORCING STEEL AND EDGE OF CONCRETE



REINFORCING STEEL PATTERN

PIPE SLOPE	PIPE SLOPE	X DISTANCE
100%	1:1	12'-0"
66.6%	1-1/2:1	14'-0"
50%	2:1	16'-0"
40%	2-1/2:1	18'-0"
33.3%	3:1	20'-0"

NOTES:

1. PIPE ANCHORS REQUIRED ON ALL SLOPES OF 3:1 OR STEEPER.
2. ANCHOR SHALL EXTEND 12" INTO NATURAL UNDISTURBED SOIL.
3. CONCRETE SHALL BE 3250 PSI MINIMUM.
4. ANCHORS FOR TRAPEZOIDAL TRENCH SECTIONS WILL CONFORM TO TRENCH CROSS SECTION AND EXTEND 12" INTO UNDISTURBED SOIL.

CONCRETE SLOPE ANCHORS

2016



Yucaipa Valley Water District

Approved by the Yucaipa Valley Water District Board of Directors on March 16, 2016 as Resolution No. 2016-13

S-19