

SEWER SADDLE FOR 4" – 6" CLAY PIPE LATERAL CONNECTION

SEWER DIAMETER	ROMAC INDUSTRIES, INC. PART NUMBER	
	4" LATERAL BRANCH	6" LATERAL BRANCH
8" – 12"	CB-5.38	CB-7.56
14" – 24"	CB-5.38LS	CB-7.56LS
24" – 48"	CB-5.38XLS	CB-7.56XLS

NOTES:

1. LATERAL CONNECTION BY SADDLE METHOD SHALL BE USED ON PIPES 8" IN DIAMETER AND LARGER.
2. THE HOLE FOR THE COLLAR WYE FITTING FOR A SEWER SADDLE SHALL BE MADE WITH A TAPPING MACHINE. THE HOLE SHALL BE CLEANLY MACHINED, AND IF NECESSARY, WORKED BY HAND WITH A RASP OR SANDED TO ACCOMPLISH A TRUE AND NEAT OPENING FOR THE COLLAR WYE.
3. THE COLLAR WYE SADDLE SHALL BE SECURED TO THE SEWER MECHANICALLY.
4. DAMAGED PIPE SHALL BE REPAIRED AS DIRECTED BY THE DISTRICT REPRESENTATIVE.

4" AND 6" SEWER SADDLE CONNECTION TO EXISTING MAINLINE

2017

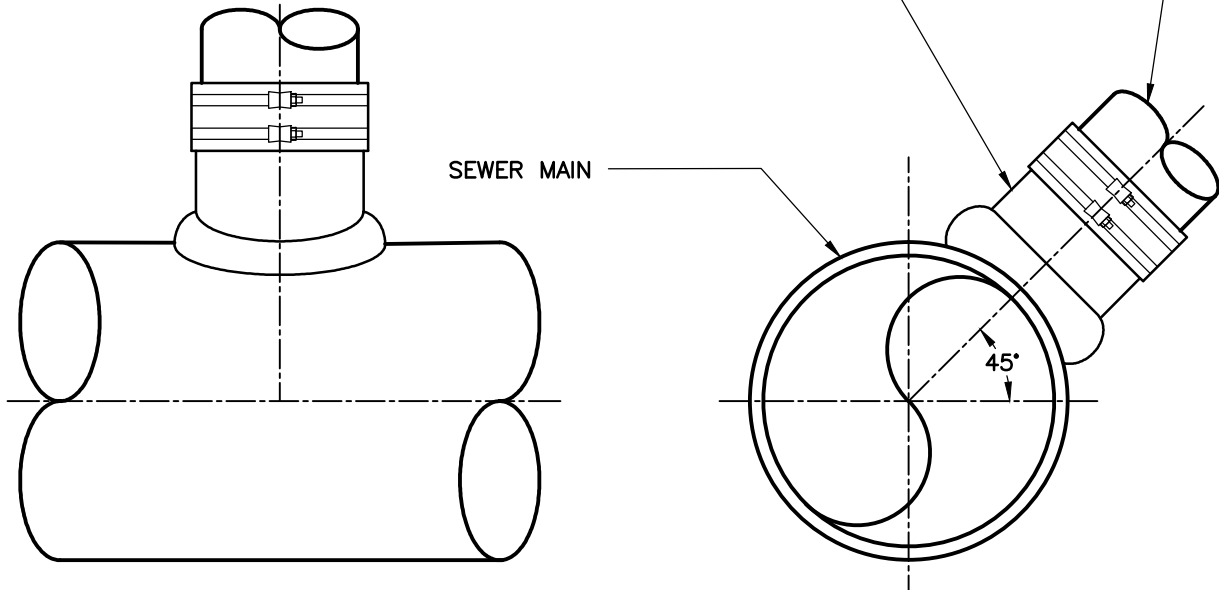


Yucaipa Valley Water District

Approved by the Yucaipa
Valley Water District Board of
Directors on October 17, 2017
as Resolution No. 2017-24

S-21

MISSION CLAY PRODUCTS
 "TWIST-TEE" SEWER LATERAL SADDLE
 INSTALLED PER MANUFACTURERS SPECIFICATIONS
 AT 45 DEGREE ANGLE ABOVE CENTER OF MAIN



SEWER SADDLE FOR 4" – 6" CLAY PIPE LATERAL CONNECTION

SEWER DIAMETER	MISSION CLAY PRODUCTS, LLC TWIST-TEE SEWER SADDLE			
	4" LATERAL BRANCH		6" LATERAL BRANCH	
	PRODUCT NUMBER	PRODUCT NAME	PRODUCT NUMBER	PRODUCT NAME
8" – 10"	1404632	TT4-0810	–	–
12" – 15"	1404634	TT4-1215	1406641	TT6-1215
16" – 27"	1404636	TT4-1627	1406643	TT6-1624

4" AND 6" SEWER SADDLE CONNECTION TO EXISTING MAINLINE

2017



Yucaipa Valley Water District

Approved by the Yucaipa Valley Water District Board of Directors on October 17, 2017 as Resolution No. 2017-24

S-21

Sheet 2 of 2