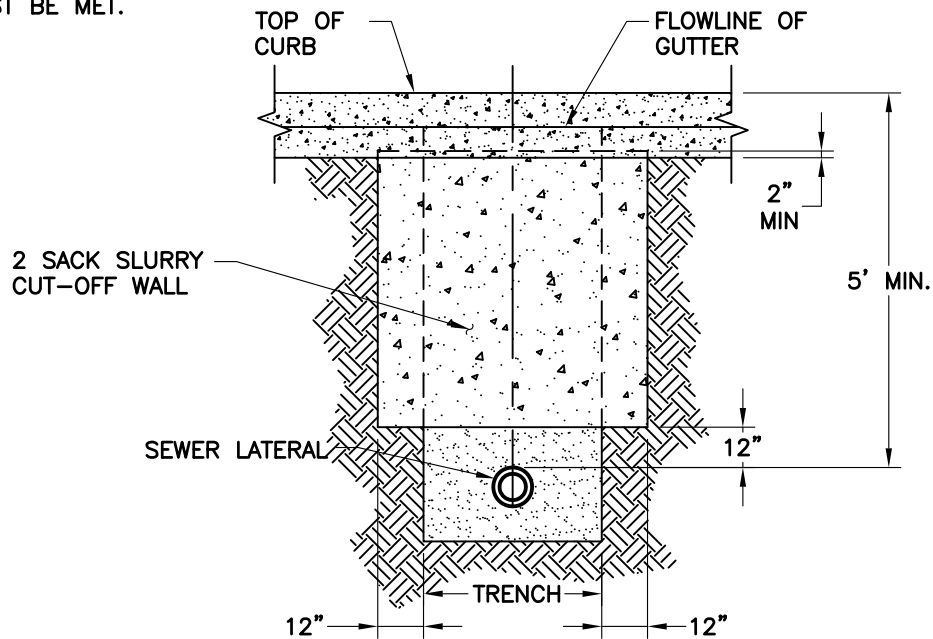


IF LATERAL IS TUNNELED UNDER EXISTING CURB AND GUTTER AND SIDEWALK, THEN DRY PACK CONCRETE AROUND PIPE. WITHIN THE CITY OF YUCAIPA, CONCRETE SLURRY REQUIREMENTS MUST BE MET.



NOTE:

1. CUT-OFF WALL SHALL BE CONSTRUCTED AFTER TRENCH COMPACTION IS COMPLETE.
2. A SEWER LATERAL CUT-OFF WALL IS NOT REQUIRED IF THE LATERAL IS INSTALLED UNDER A PERMANENT HARDSCAPE SURFACE SUCH AS A CONCRETE DRIVEWAY AS LONG AS THE LATERAL REMAINS UNDER IT ALL THE WAY TO THE STRUCTURE. CLEAN OUTS WILL STILL BE REQUIRED.

SEWER LATERAL CUTOFF WALL DETAIL

2016



Yucaipa Valley Water District

Approved by the Yucaipa Valley Water District Board of Directors on March 16, 2016 as Resolution No. 2016-13

S-27