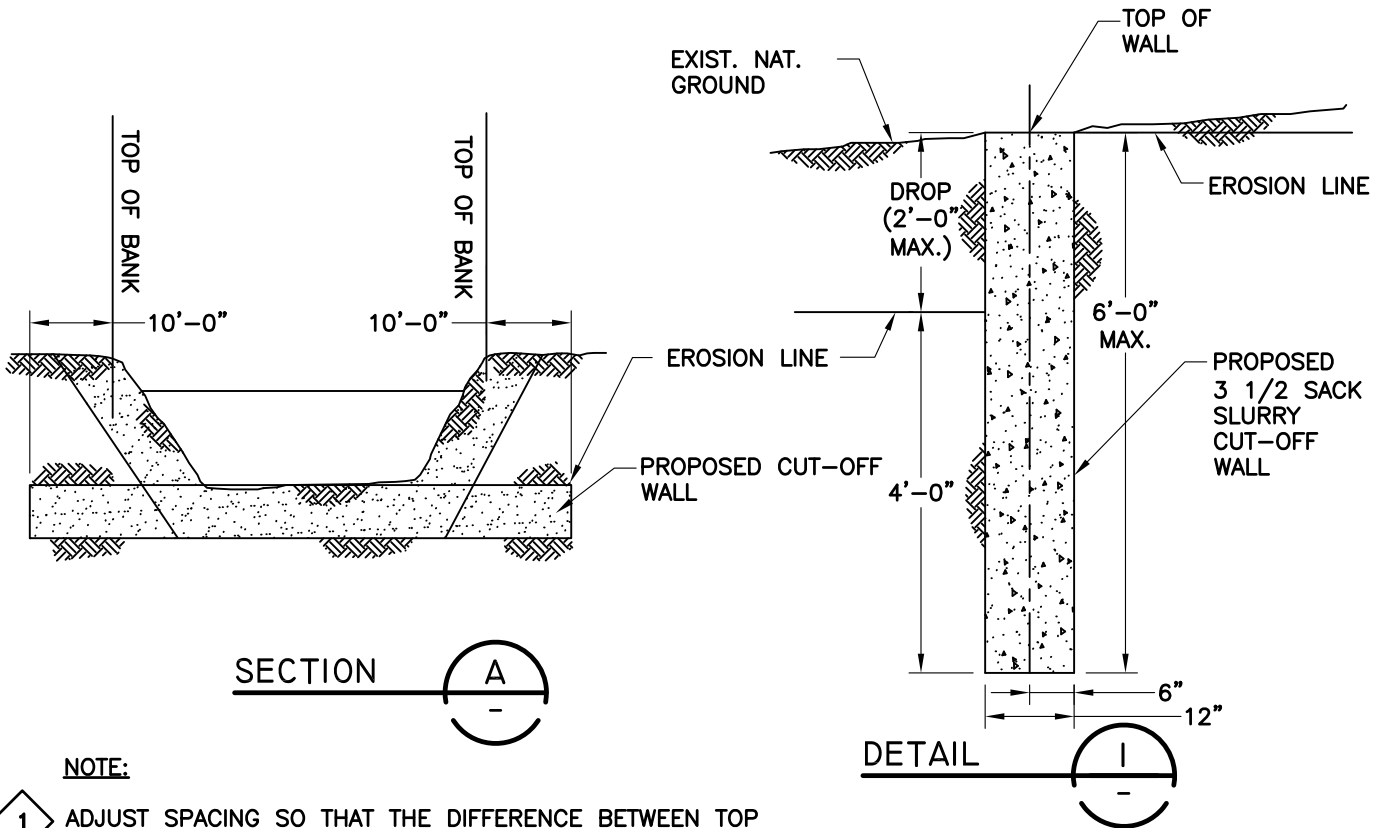


PROFILE



SECTION



DETAIL



NOTE:

1 ADJUST SPACING SO THAT THE DIFFERENCE BETWEEN TOP OF WALL AND EROSION LINE (DROP) DOES NOT EXCEED 2'-0".

EROSION CONTROL CUTOFF WALL DETAIL

2016



Yucaipa Valley Water District

Approved by the Yucaipa Valley Water District Board of Directors on March 16, 2016 as Resolution No. 2016-13

S-28

Sheet 1 of 1