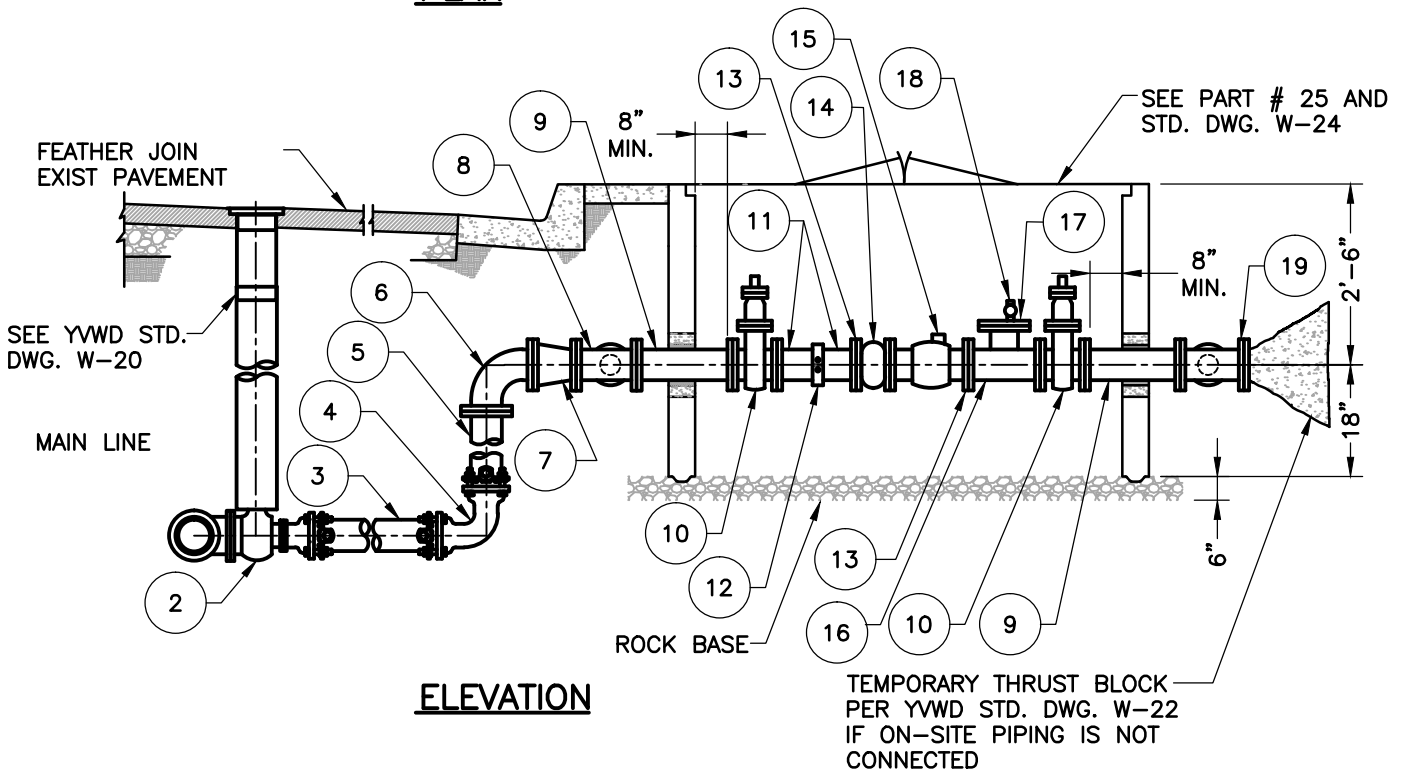


PLAN



ELEVATION

6" AND 8" DRINKING WATER SERVICE

2017



Yucaipa Valley Water District

Approved by the Yucaipa Valley Water District Board of Directors on October 17, 2017 as Resolution No. 2017-24

W-9

Sheet 1 of 2

LIST OF MATERIALS

ITEM	QUANTITY	DESCRIPTION
1	1 EA	SIZE X 8" TAPPING SLEEVE (USE MJ X FLG. TEE IF HOT TAP IS NOT REQUIRED).
2	1 EA	8" FLG. X FLG. TAPPING VALVE (USE RW OR GATE VALVE IF HOT TAP IS NOT REQUIRED).
3	AS REQ'D	8" D.I. PIPE LATERAL, RESTRAINED JOINTS
4	1 EA	8" D.I. 90° ELL, MJ. X MJ (IF REQUIRED).
5	2 EA	8" D.I. HALF SPOOL – FLG. X PLAIN END (IF REQUIRED)
6	1 EA	8" D.I. 90° ELL, FLG. X FLG (IF REQUIRED).
7	1 EA	8" X 6" D.I. REDUCER FLG. X FLG. (FOR 6" SERVICE ONLY)
8	2 EA	METER SIZE FLANGED D.I. TEE
9	2 EA	FLG x FLG. D.I. SPOOL – METER SIZE X 2'-6"
10	2 EA	RW OR GATE VALVE FLG. X FLG.
11	2 EA	D.I.P. HALF SPOOL, VICTAULIC X FLG., 6" LENGTH
12	1 EA	GROOVED-END COUPLING (VICTAULIC)
13	4 EA	BOLT AND FLANGE INSULATING KIT
14	1 EA	STRAINER (BY DISTRICT)
15	1 EA	METER (BY DISTRICT)
16	1 EA	METER SIZE D.I. TEE – FLANGED
17	2 EA	METER-SIZE D.I. COMPANION FLANGE TAPPED FOR 2" I.P.
18	1 EA	2" CORPORATION STOP – MIP X MIP
19	1 EA	D.I. BLIND FLANGE
20	2 EA	METER SIZE COMPANION FLANGE WITH 2" THREADED I.P. OUTLET
21	AS REQ'D	2" GALVANIZED PIPE
22	2 EA	2" 90° ELBOW
23	1 EA	2" UNION
24	1 EA	2" BALL VALVE WITH LOCKING WING – F.I.P. X F.I.P.
25	1 EACH	PRECAST CONCRETE VAULT WITH SPRING ASSIST HINGED DIAMOND PLATE ALUMINUM COVER AND RECESSED LOCKING HASP. PROVIDE 6" x 12" HINGED READING LID INSTALLED OVER METER REGISTER. (REFER TO YVWD STD. DWG. W-24)
26	1 EA	GALV. STEEL LADDER (ALHAMBRA FOUNDRY A3400) W/LADDER – UP AND S.S. ANCHOR BOLTS.

NOTES:

1. VAULT SHOWN IS FOR PARKWAY USE ONLY. FOR TRAFFIC LOADING AND OTHER REQUIREMENTS, CONTACT DISTRICT REPRESENTATIVE.
2. VAULT COVER TO BE SET TO CONFORM TO PARKWAY GRADE.
3. WHEN A BY-PASS LINE IS NOT REQUIRED, DO NOT INSTALL ITEMS 21 TO 24.
4. BACKFILL UNDER EXISTING CURB WITHIN THE CITY OF YUCAIPA, MUST BE 2 SACK SLURRY PER CITY STANDARDS.

6" AND 8" DRINKING WATER SERVICE

2017



Yucaipa Valley Water District

Approved by the Yucaipa
Valley Water District Board of
Directors on October 17, 2017
as Resolution No. 2017-24

W-9