

NOTES:

1. BACKFILL UNDER EXISTING CURB WITHIN THE CITY OF YUCAIPA, MUST BE 2 SACK SLURRY PER CITY STANDARDS.

WATER QUALITY SAMPLING STATION

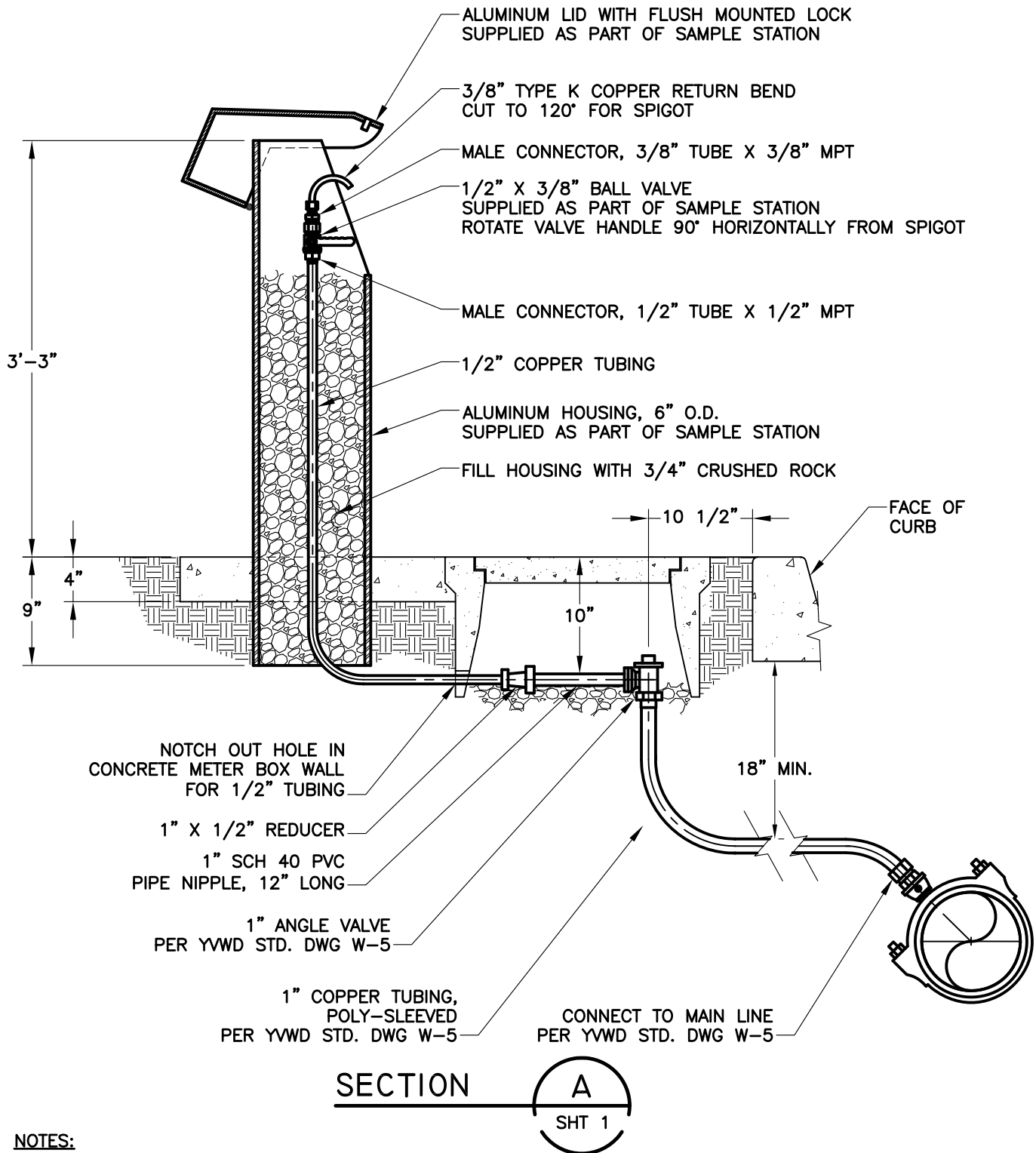
2016



Yucaipa Valley Water District

Approved by the Yucaipa
Valley Water District Board of
Directors on March 16, 2016 as
Resolution No. 2016-13

W-16



NOTES:

1. BACKFILL UNDER EXISTING CURB WITHIN THE CITY OF YUCAIPA, MUST BE 2 SACK SLURRY PER CITY STANDARDS.

WATER QUALITY SAMPLING STATION

2016



Yucaipa Valley Water District

Approved by the Yucaipa Valley Water District Board of Directors on March 16, 2016 as Resolution No. 2016-13

W-16

Sheet 2 of 2