

**NOTES:**

1. PRIOR TO PAINTING, FIRE HYDRANTS SHALL BE PREPARED PER SSPC-SP5. PAINT WITH 2 COATS, 3 TO 5 MILS EACH, OF RUST-OLEUM 7543 SAFETY YELLOW 025F. ENTIRE HEAD SHALL BE PAINTED RED.
2. BLOW-OFFS LOCATED HIGHER THEN 3,500 FT ABOVE SEA LEVEL SHOULD BE A DRY BARREL FIRE HYDRANT.
3. BOTTOM FLUSH INSTALLATION WHERE REQUIRED BY YWWD.
4. BACKFILL UNDER EXISTING CURB WITHIN THE CITY OF YUCAIPA, MUST BE 2 SACK SLURRY PER CITY STANDARDS.
5. ALL HYDRANTS AND BLOW-OFFS SHALL BE LOCATED A MINIMUM OF 3- FEET AWAY FROM THE E.C./B.C. OF DRIVEWAY APPROACHES AND CURB RETURNS FROM INTERSECTIONS.

## BLOW-OFF ASSEMBLY

2016

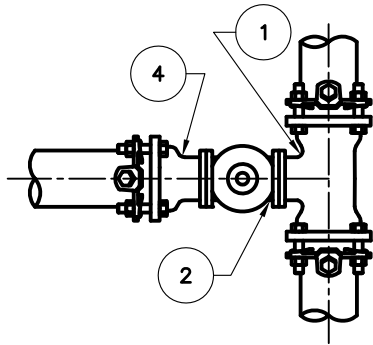


Yucaipa Valley Water District

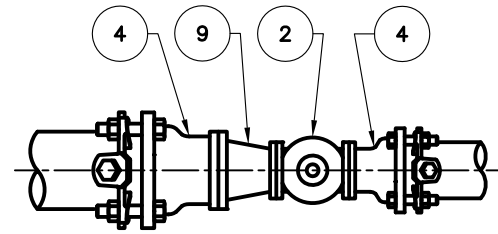
Approved by the Yucaipa Valley Water District Board of Directors on March 16, 2016 as Resolution No. 2016-13

W-19

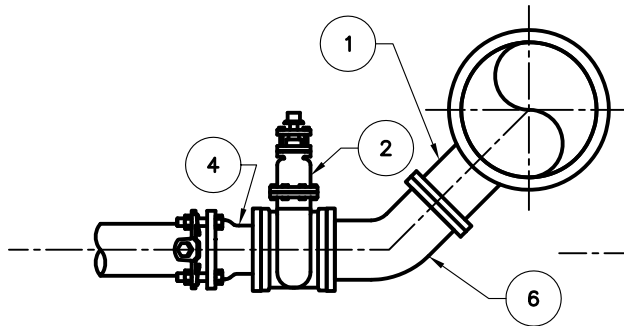
Sheet 1 of 2



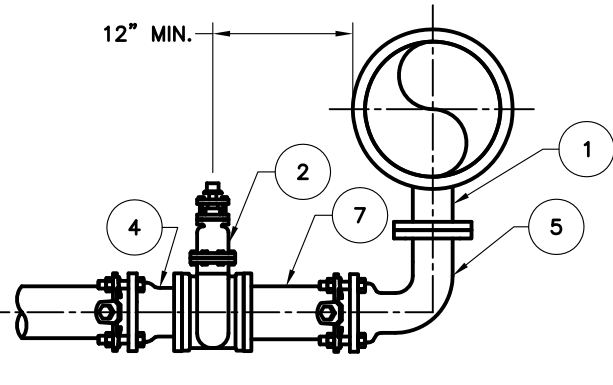
**PLAN**  
**BLOW-OFF ASSEMBLY GATE VALVE,**  
**BRANCH CONNECTION FROM WATER**  
**MAIN**



**PLAN**  
**BLOW-OFF ASSEMBLY GATE VALVE,**  
**END CONNECTION FROM WATER MAIN**  
**(OPTIONAL)**



**BRANCH CONNECTION CASE A**  
**USE ON WATER MAINS THAT ARE**  
**8", 16" AND 18" ONLY.**



**BRANCH CONNECTION CASE B**  
**USE ON WATER MAINS THAT ARE**  
**12", 24" AND LARGER.**

**LIST OF MATERIAL**

ITEM NUMBER	DESCRIPTION
1	TEE - MJ X MJ X FLG
2	GATE VALVE - FLG X FLG
3	VALVE BOX PER STD. DWG. W-10
4	MJ X FLG ADAPTOR
5	90° ELBOW - FLG X MJ WITH MEGA LUG RESTRIANTS
6	45° ELBOW - FLG X FLG
7	D.I.P. HALF SPOOL - FLG x PE
8	CAST IRON HYDRANT CAP WITH CHAIN
9	FLG X FLG REDUCER

**BLOW OFF ASSEMBLY**

