

SEE SHEET 2 OF 10 FOR NOTES AND LIST OF MATERIALS.

PRESSURE REDUCING STATION TYPICAL ASSEMBLY – FINAL DESIGN BY ENGINEER

2016



Yucaipa Valley Water District

Approved by the Yucaipa Valley Water District Board of Directors on March 16, 2016 as Resolution No. 2016-13

W-23

Sheet 1 of 10

LIST OF MATERIALS

ITEM	QUANTITY	DESCRIPTION
MAIN LINE		
1	2 EA	D.I.P. 90° ELBOW, MJ X MJ, RESTRAINED
2	5 EA	D.I.P. SPOOL, LENGTH AS REQUIRED, RESTRAINED
3	2 EA	D.I.P. 90° ELBOW, MJ X FLG
4	2 EA	FLANGED TEE D.I.
5	2 EA	RESILIENT SEAT GATE VALVE
6	2 EA	FLG x GROOVED-END SPOOL, VICTAULIC
7	1 EA	GROOVED-END COUPLING, VICTAULIC
8	1 EA	PRESSURE REDUCING VALVE, W/FULL CLOSED POSITION SWITCH. MANUFACTURED BY CLA-VAL COMPANY ONLY.
15	4 EA	1" SPONGE RUBBER SEAL AROUND PIPE. DRYPACK WITH CONCRETE MORTAR
16	4 EA	ADJUSTABLE PIPE SUPPORT. SEE YVWD STD. DWG. W-25
BY-PASS LINE		
9	5 EA	D.I. SPOOL, LENGTH AS REQUIRED, FLG'D ENDS
10	2 EA	FLG x FLG D.I. 90° ELL
11	2 EA	RESILIENT SEATED GATE VALVE
12	2 EA	FLG x GROOVED-END SPOOL, VICTAULIC
13	1 EA	GROOVED-END COUPLING, VICTAULIC
14	1 EA	PRESSURE REDUCING VALVE, W/FULL CLOSED POSITION SWITCH.
MISCELLANEOUS		
17	1 EA	PRECAST CONCRETE VAULT 6'-0"x8'-0" OR 6'-0"x10'-0" WITH 4'x4" HATCH. PROVIDE DIAMOND PLATE ALUMINUM ACCESS DOORS WITH RECESSED PADLOCK HASP.
18	1 EA	1" AIR VAC DOWNSTREAM OR LOW PRESSURE SIDE OF CLAY-VAL STATION PER YVWD STD. DWG. W-15
19	2 EA	PRESSURE GAUGE (ASHCROFT 0-150 PSI)
20	2 EA	PRESSURE TRANSMITTER, PER W-23 SHEET 10 OF 10
21	1 EA	GALV. STEEL LADDER (ALHAMBRA FOUNDRY) W/LADDER UP AND SS ANCHOR BOLTS
22	1 EA	FLOOD LEVEL SWITCH & SUMP PUMP. NO SUMP PUMP REQUIRED IF A POSITIVE CONNECTION TO STORM DRAIN IS PROVIDED.
23	1 EA	DOOR ENTRY SWITCH, PER W-23 SHEET 9 OF 10

NOTES:

1. THESE DRAWINGS ARE GENERAL IN NATURE AND MAY NEED TO BE MODIFIED TO FIT SPECIFIC SITE REQUIREMENTS.

PRESSURE REDUCING STATION TYPICAL ASSEMBLY – FINAL DESIGN BY ENGINEER

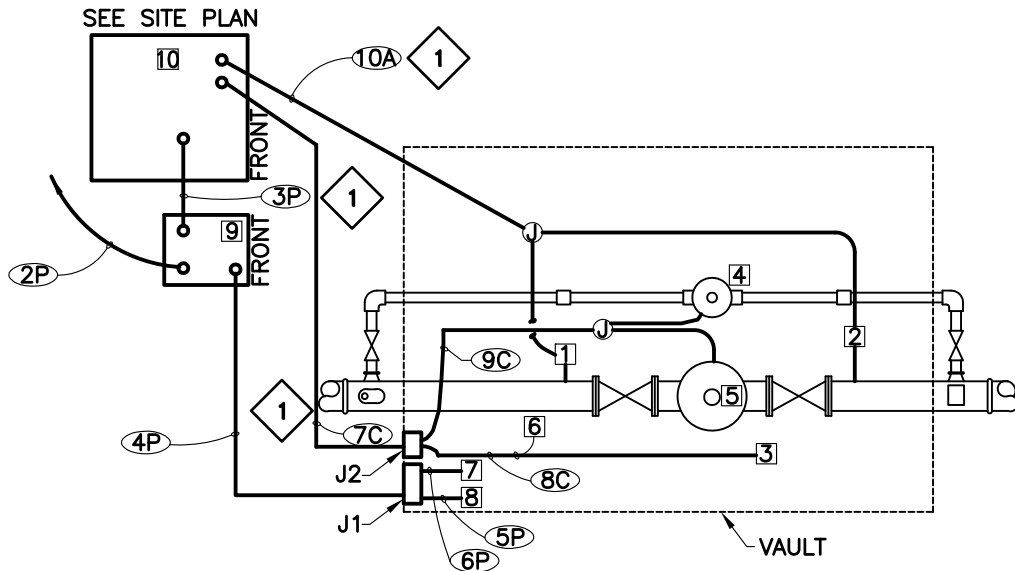
2016



Yucaipa Valley Water District

Approved by the Yucaipa
Valley Water District Board of
Directors on March 16, 2016 as
Resolution No. 2016-13

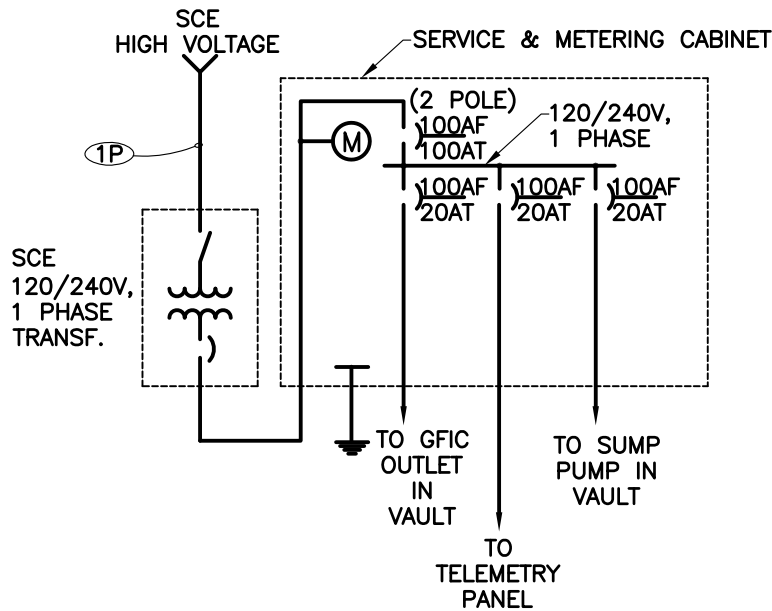
W-23



PRESSURE REDUCING STATION ELECTRICAL PLAN

NOT TO SCALE

SEE SITE PLAN FOR LOCATION OF POWER AND TELEPHONE SERVICES



SINGLE LINE DIAGRAM

SEE SHEET 5 OF 10 FOR CONDUIT SCHEDULE AND SHEET 6 OF 10 FOR LIST OF ELECTRICAL COMPONENTS AND NOTES.

PRESSURE REDUCING STATION ELECTRICAL DIAGRAM AND DETAILS

2016

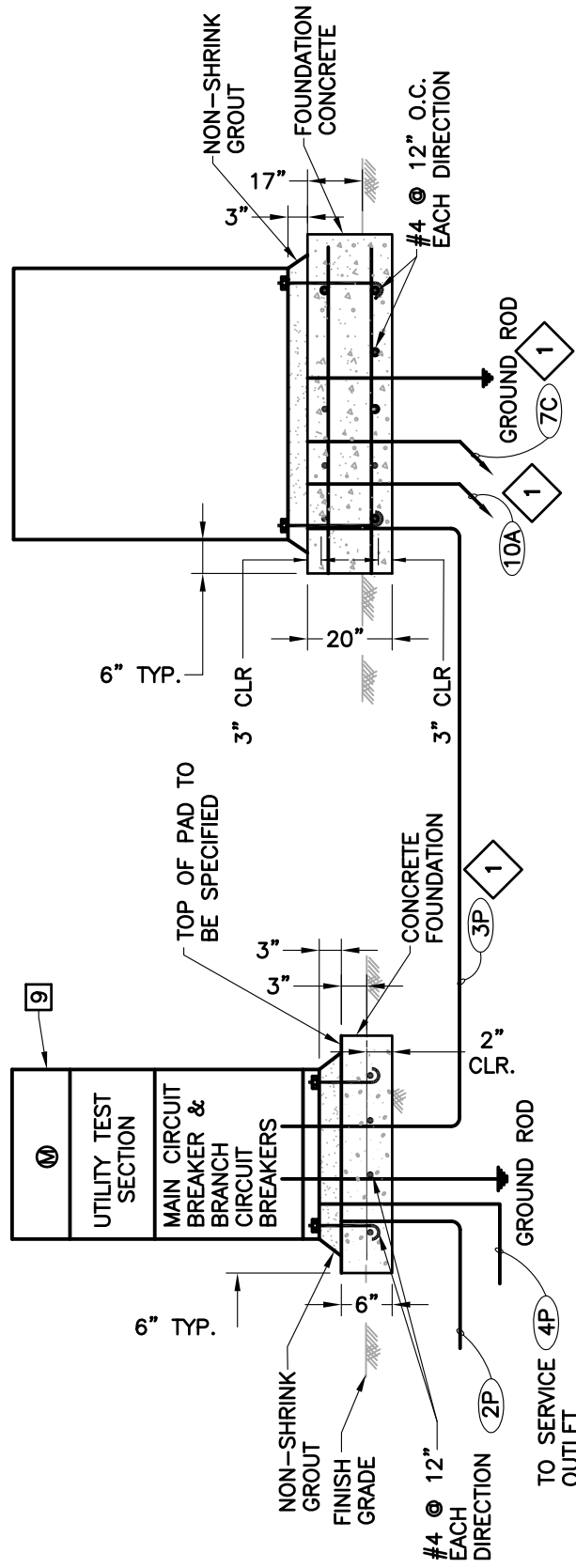


Yucaipa Valley Water District

Approved by the Yucaipa Valley Water District Board of Directors on March 16, 2016 as Resolution No. 2016-13

W-23

Sheet 3 of 10



TELEMETRY CABINET—ELEVATION

SCALE: NONE

SERVICE & METERING CABINET

ELEVATION

SCALE: NONE

**PRESSURE REDUCING STATION
ELECTRICAL DIAGRAM AND DETAILS**

2016



Yucaipa Valley Water District

Approved by the Yucaipa Valley Water District Board of Directors on March 16, 2016 as Resolution No. 2016-13

W-23

Sheet 4 of 10

CONDUIT SCHEDULE

SYMBOL	CONDUIT		WIRE	DESCRIPTION	LOCATION		REMARKS
	QTY.	SIZE			FROM	TO	
#	QTY.	SIZE	QTY.	SIZE	USE	FROM	TO
(1P)	1	4"	C.O.	C.O.	POWER	SCE XFMR	EXISTING SCE POWER
(2P)	1	2"	C.O.	C.O.	POWER	SCE XFMR	SVS & MTR CAB 120/240 SVS FDR
(3P)	1	3/4"	2#12&1#12	GND	POWER	SVS & MTR CAB	TELEMETRY CAB SEE NOTE
(4P)	1	3/4"	4#12&1#12	GND	POWER	SVS & MTR CAB	PULL BOX J1 SUMP PUMP & OUTLET
(5P)	1	3/4"	2#12&1#12	GND	POWER	PULL BOX J1	OUTLET W/GFI
(6P)	1	3/4"	2#12&1#12	GND	POWER	PULL BOX J1	SUMP PUMP & CONTROLS
(7C)	1	1"	8#14&1#12	GND	CONTROL	TELEMETRY CAB	PULL BOX J2 SEE NOTE
(8C)	1	3/4"	4#14&1#12	GND	CONTROL	PULL BOX J2	XS-1,LS-1
(9C)	1	3/4"	4#14&1#12	GND	CONTROL	PULL BOX J2	XS-2,XS-3
(10A)	1	1"	2,2/C#18 SH.&1#12GND	GND	CONTROL	TELEMETRY CAB	PT-1,PT-2 SEE NOTE

PRESSURE REDUCING STATION ELECTRICAL DIAGRAM AND DETAILS

2016



Yucaipa Valley Water District

Approved by the Yucaipa Valley Water District Board of Directors on March 16, 2016 as Resolution No. 2016-13

W-23

NOTE:

1

COIL 3" OF CONDUCTORS 3P, 7C, AND 10A IN TELEMETRY PANEL.

ELECTRICAL COMPONENTS

ITEM NO.	DEVICE ID.	DESCRIPTION	MANUFACTURE	MODEL NUMBER	REMARKS
1	PT-1	DOWNSTREAM PRESS. XMTR	ROSE MOUNT	#3051CG-X-A22 AUJ-M6210-S-140	150/250 PSI
2	PT-2	UPSTREAM PRESS. XMTR	ROSE MOUNT	#3051CG-X-A22 AUJ-M6210-S-140	150/250 PSI
3	XS-1	HATCH ENTRY SWITCH	ALLEN BRADLEY	E50DRI	W/CUTLER HAMMER ROLLER #E50KL546
4	XS-2	STEM POS. SWITCH (CLOSED)			SUP. W/VALVE
5	XS-3	STEM POS. SWITCH (CLOSED)			SUP. W/VALVE
6	LS-1	VAULT FLOODED SWITCH	GEMS	LS270	
7	P-1	SUMP PUMP AND CONTROLS	ZOELLER	GRANGER CAT. #2P547	
8	NA	SERVICE OUTLET WITH GFI	NA		20A
9	NA	SERVICE AND METERING CAB	MEYERS	MEUGQ100	120/240 V, 100A
10	NA	TELEMETRY CABINET			SEE YVWD SDT DWG W-23D, DETAIL A

PRESSURE REDUCING STATION
ELECTRICAL DIAGRAM AND DETAILS

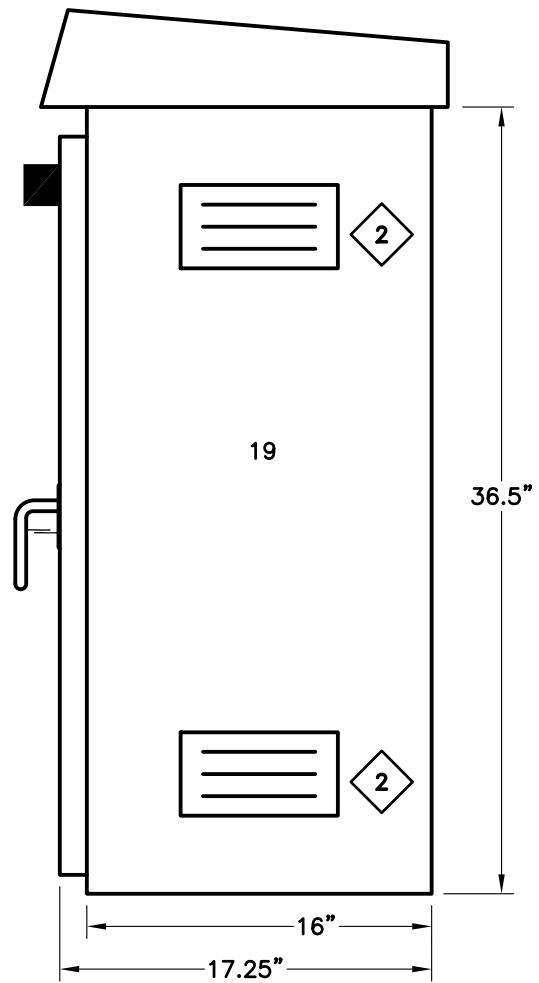
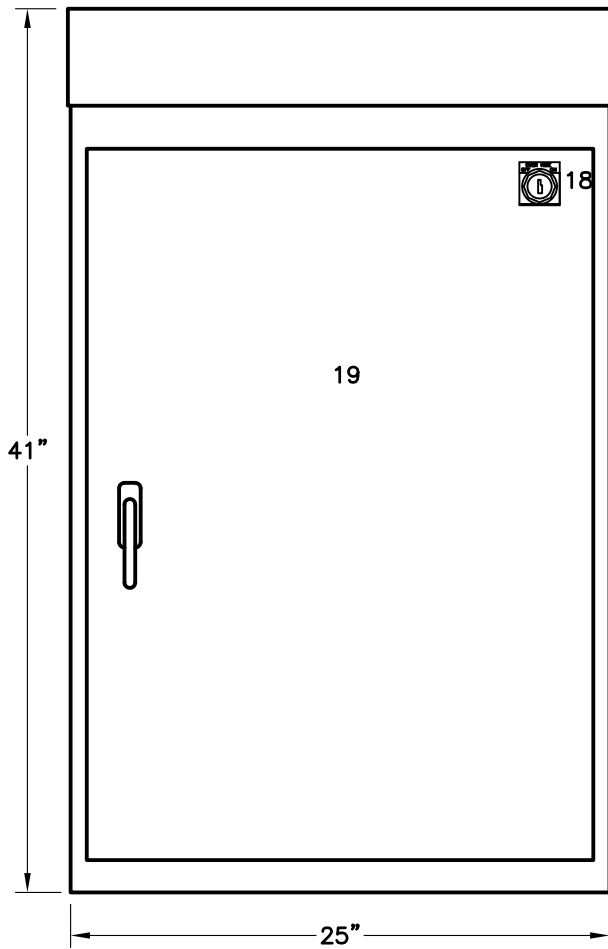
2016



Yucaipa Valley Water District

Approved by the Yucaipa
Valley Water District Board of
Directors on March 16, 2016 as
Resolution No. 2016-13

W-23



NOTES:

- 1 PROVIDE CABINET WITH SUB BACK PANEL.
- 2 PROVIDE VENTILATION WITH LOUVERS TOP AND BOTTOM.
- 3 CREATE POSITIVE PRESSURE WITH SUPPLY FAN ON THERMOSTAT.

PRESSURE REDUCING STATION TELEMETRY DETAILS

2016



Yucaipa Valley Water District

Approved by the Yucaipa Valley Water District Board of Directors on March 16, 2016 as Resolution No. 2016-13

W-23

LIST OF TELEMETRY CABINET COMPONENTS

ITEM NO.	QTY.	DESCRIPTION	PART NUMBER	MANUFACTURER	TYPE
1	1				
1	2	MULTIPLEXER	245-19	BIF/AQUA	FREQ. T.B.D.
1	1	TRANSMITTER	245-05	BIF/AQUA	FREQ. T.B.D.
1	1	RECEIVER	245-09	BIF/AQUA	FREQ. T.B.D.
1	1	DEMULTIPLEXER	245-20	BIF/AQUA	FREQ. T.B.D.
2	1	DC POWER SUPPLY	HC-28-2-A	POWER-ONE	28VDC, 2A
3	3	CONTROL RELAYS	RR2P-UL-120	IDEC	2PDT
4	1	TIME DELAY RELAY	TCB-115-2-10	R-K	ON DELAY
4	2	TIME DELAY RELAY	TFB-115-2-180	R-K	OFF DELAY
5	1	LOW VOLTAGE PROTECTOR	258-40	BIF/AQUA	ELECTRONIC
6	8	POWER/SIGNAL TERM.	1492-CA1	ALLEN-BRADLEY	600V, 55A
7	1	LINE SURGE PROTECTOR	245-23	BIF/AQUA	ELECTRONIC
8	1	POWER TRANSFER UNIT	258-36	BIF/AQUA	ELECTRONIC
9	8	POWER/SIGNAL TERM.	1492-CA1	ALLEN-BRADLEY	600V, 55A
10	48	TELEMETRY TERMINALS	UK4	PHOENIX	600V, 20A
11	1	UTILITY RECEPTACLE	1591FI	PASS & SEYMOUR	GFI 15A
12	1	TELEPHONE CO. RECPT.	GE5251-2	G.E.	SIMPLEX 15A
13	1	SPACE HEATER	D-AH4001B	HOFFMAN	400 WATT
14	4	GELL CELL BATTERY	NP24-12	YUASA-EXIDE	12V 24AH
15	1	PLYWOOD BAT. SUPPORT	N/A		
16	1	FLUORESCENT LIGHT	2V687/1V173	GRAINGER	15 WATT
17	1	INTRUSION LIGHT SWITCH	10316H2042	CUTLER-HAMMER	LIMIT SWITCH
18	1	INTRUSION AL. OVERRIDE	10250T15113	CUTLER-HAMMER	2 POS. SEL SW.
19	1	TELEMETRY CABINET. THREE POINT PAD LOCKABLE DOOR HANDLE. SOLID BOTTOM.	LS412516AL	HENNESSY	NEMA 4X 5052-H32 ALUMINUM ALLOY 0.125" THICK
20	1	CIRCUIT BREAKER	1492-CB1H20	ALLEN-BRADLEY	20A ONE POLE

PRESSURE REDUCING STATION TELEMETRY DETAILS

2016



Yucaipa Valley Water District

Approved by the Yucaipa
Valley Water District Board of
Directors on March 16, 2016 as
Resolution No. 2016-13

W-23

J-BOX, ACTUATED SWITCH WHEN DOOR OPENS AT 15° MAXIMUM

FLEXIBLE CONDUIT

ROTARY ACTION LIMIT SWITCH (MOUNT OPPOSITE OF DOOR HINGE)

1/2" TO 4" ADJUSTABLE LEVER ACTUATOR WITH ROLLER

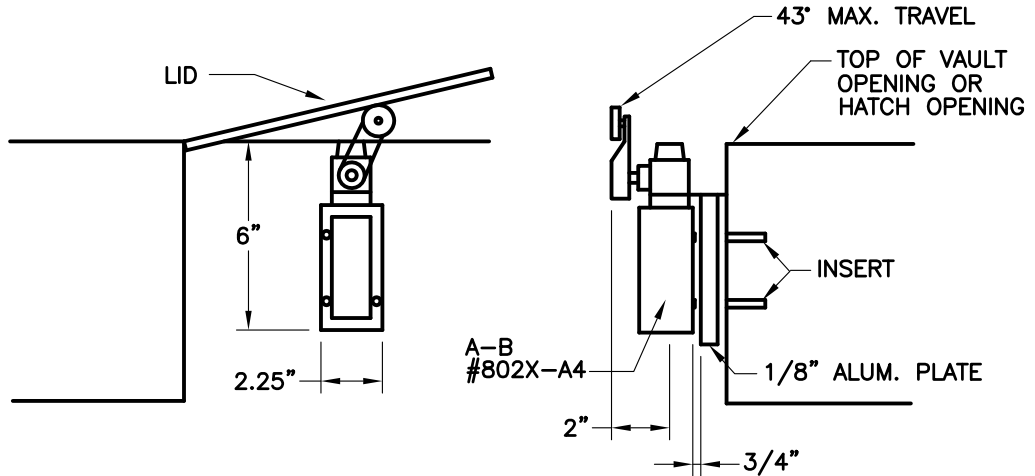
PROVIDE ALUMINUM SHIM WHERE REQUIRED. SECURE TO DOOR (2) PLACES MINIMUM

PROVIDE ALUMINUM MOUNTING BRACKET WHERE REQUIRED

SECURE TO FRAME WITH (2) MOUNTING SCREWS MINIMUM. MOUNTING SCREWS ARE NOT TO PENETRATE OUTSIDE WALL

OUTSIDE ENTRY

DOOR HATCH ENTRY SWITCH



INTRUSION SWITCH DETAIL

PRESSURE REDUCING STATION
ENTRY SWITCH DETAILS

2016

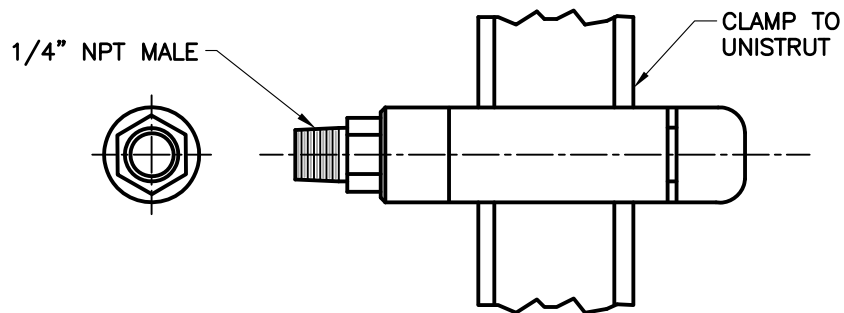
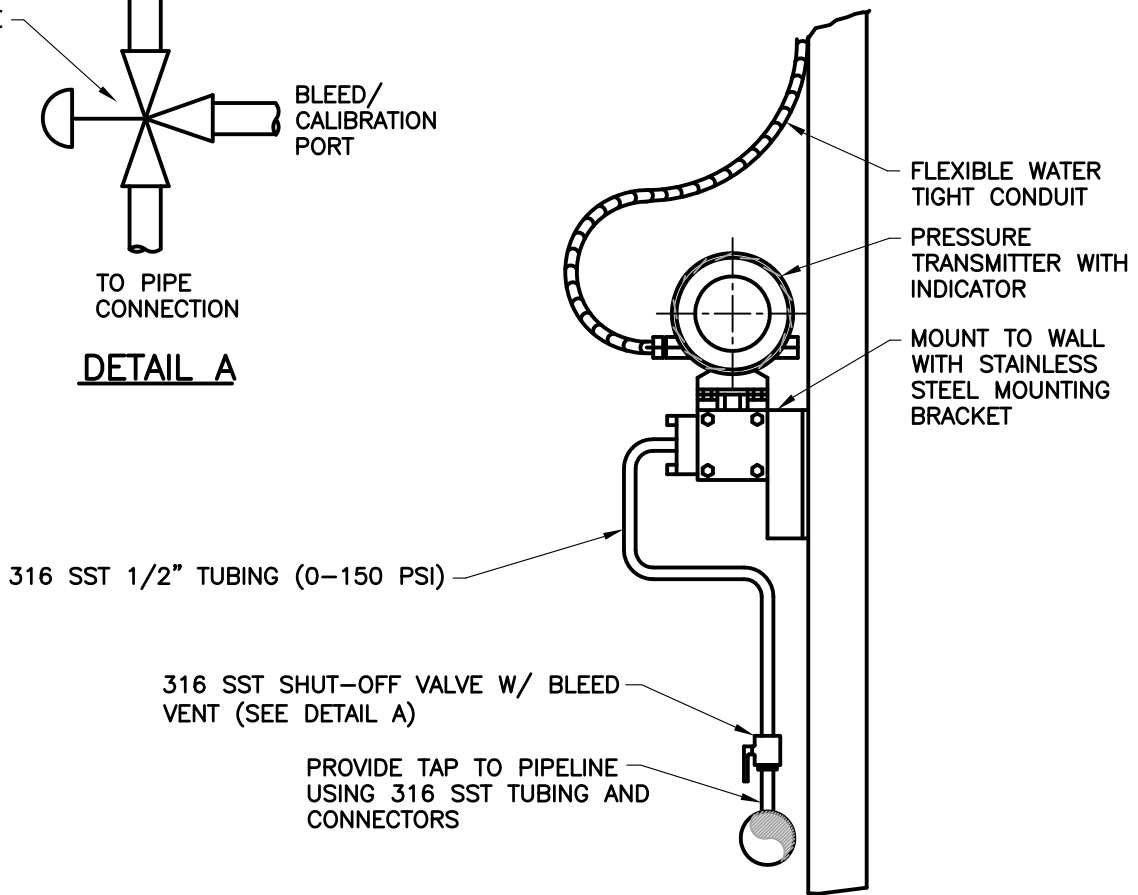
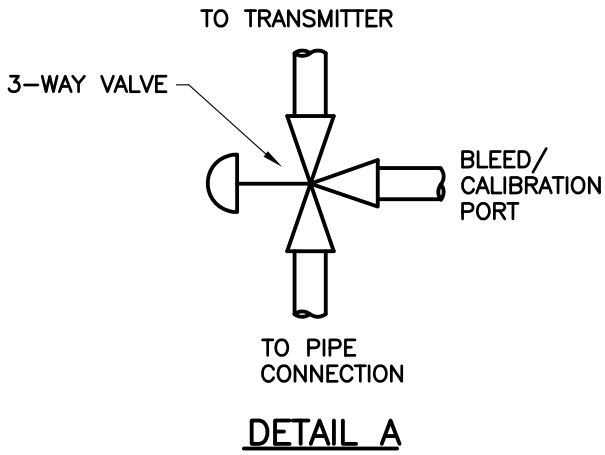


Yucaipa Valley Water District

Approved by the Yucaipa Valley Water District Board of Directors on March 16, 2016 as Resolution No. 2016-13

W-23

Sheet 9 of 10



SUBMERSIBLE TYPE

**PRESSURE REDUCING STATION
PRESSURE TRANSMITTER INSTALLATION DETAILS**

2016



Yucaipa Valley Water District

Approved by the Yucaipa
Valley Water District Board of
Directors on March 16, 2016 as
Resolution No. 2016-13

W-23