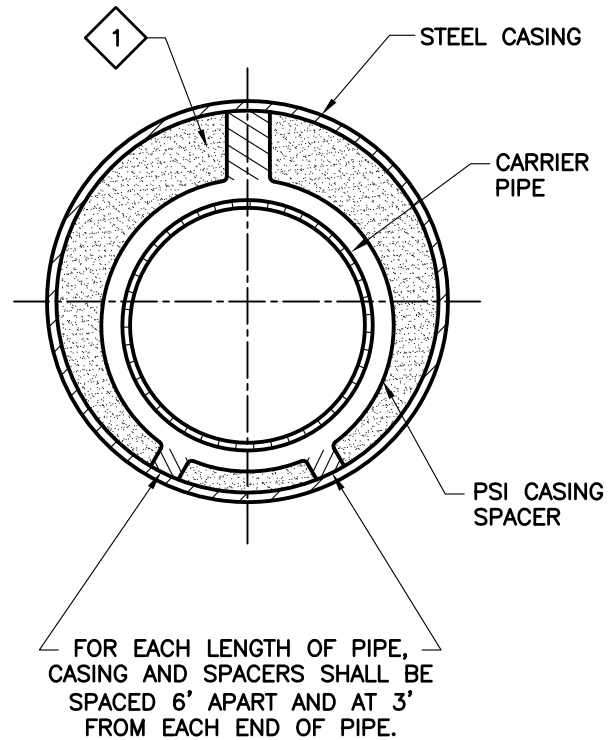


SCHEDULE STEEL CASING

| NOMINAL CARRIER PIPE SIZE | MINIMUM CASING SIZE | MIN. WALL THICK. |
|---------------------------|---------------------|------------------|
| 4" | 10 3/4 O.D. | 1/4" |
| 6" | 12 3/4 O.D. | 1/4" |
| 8" | 16" O.D. | 5/16" |
| 12" | 24" O.D. | 3/8" |
| 16" | 30" O.D. | 3/8" |
| 20" | 36" O.D. | 3/8" |
| 24" | 36" O.D. | 3/8" |
| 30" | 48" O.D. | 3/8" |



NOTES:

- 1 THE ANNULAR SPACE BETWEEN THE CASING AND THE CARRIER PIPE SHALL BE FILLED WITH AIR-BLOWN SAND.
2. CASING SHALL BE INSTALLED BY THE BORE, JACK AND/OR TUNNEL METHOD.
3. SIZE AND THICKNESS OF CASING SHALL BE AS SHOWN IN SCHEDULE. FOR LONG BORES OR SPECIAL SITUATIONS, GREATER WALL THICKNESS THAN SHOWN IN THE SCHEDULE MAY BE REQUIRED.
4. ALL STEEL CASING PIPE FIELD JOINTS SHALL BE WELDED FULL-CIRCUMFERENCE.
5. PSI CASING SPACERS SHALL BE PROVIDED PER DETAIL ABOVE.
6. CARRIER PIPE SHALL BE PRESSURE TESTED PRIOR TO FILLING CASING.
7. EACH END OF CASING SHALL BE SEALED WITH CONCRETE.
8. CONTRACTOR SHALL FURNISH ALL NECESSARY THRUST RESTRAINT DEVICES.
9. BACK FILL FOR CASING IN OPEN CUT SHALL BE IN ACCORDANCE WITH YVWD STD. DWG. W-30.
10. PSI CASING SPACERS REQUIRED, SIZE PER PLAN.

STEEL CASING PIPE

2016



Yucaipa Valley Water District

Approved by the Yucaipa
Valley Water District Board of
Directors on March 16, 2016 as
Resolution No. 2016-13

W-26