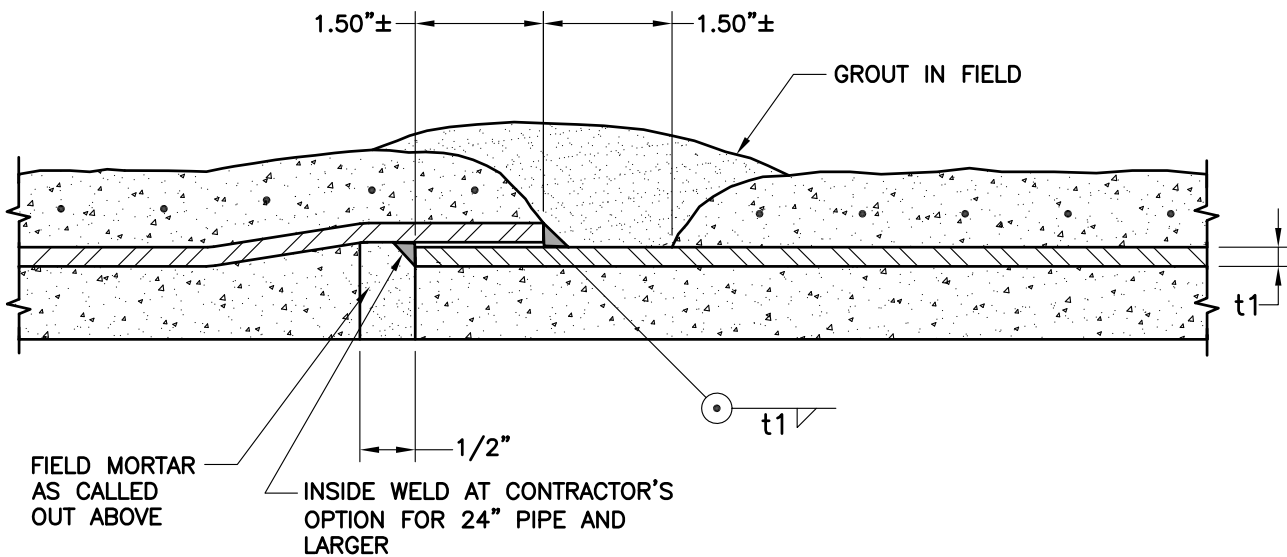


BELL AND SPIGOT RUBBER GASKET JOINT



LAP WELDED SLIP JOINT

NOTES:

1. SPECIFICATIONS FOR STEEL PIPE SHELL THICKNESS AND FOR MORTAR LINING AND COATING THICKNESS.
2. ALL WELDS 2 PASSES MINIMUM.

MORTAR LINED AND COATED STEEL PIPE JOINT DETAILS

2016



Yucaipa Valley Water District

Approved by the Yucaipa Valley Water District Board of Directors on March 16, 2016 as Resolution No. 2016-13

W-27

Sheet 1 of 1