

MORTAR LINED AND COATED STEEL PIPE CLOSURE DETAILS

2016

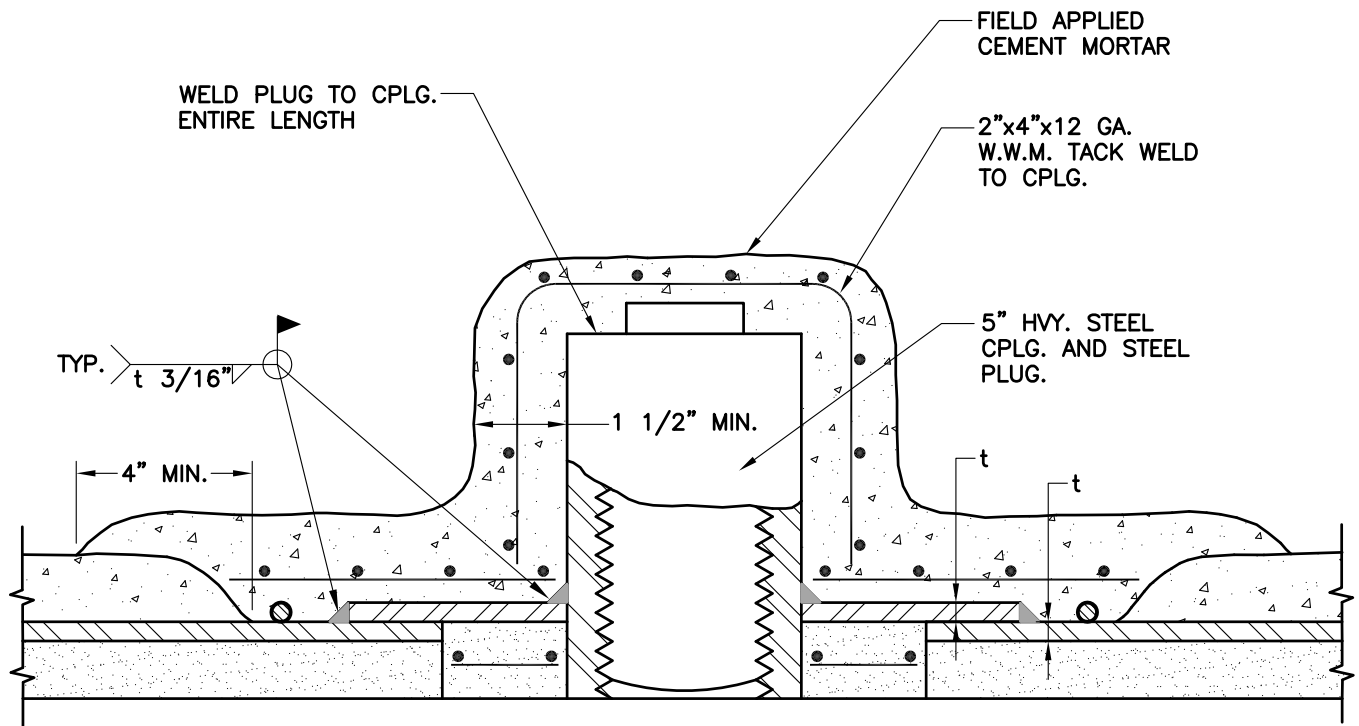


Yucaipa Valley Water District

Approved by the Yucaipa Valley Water District Board of Directors on March 16, 2016 as Resolution No. 2016-13

W-28

Sheet 1 of 2



TYPICAL HANDHOLE
 (REQUIRED ON PIPE SMALLER THAN 24" DIAMETER)
 (2 REQUIRED EACH BUTTSTRAP)

**MORTAR LINED AND COATED STEEL
 PIPE CLOSURE DETAILS**

2016



Yucaipa Valley Water District

Approved by the Yucaipa
 Valley Water District Board of
 Directors on March 16, 2016 as
 Resolution No. 2016-13

W-28

Sheet 2 of 2